

# SAE O-RING V

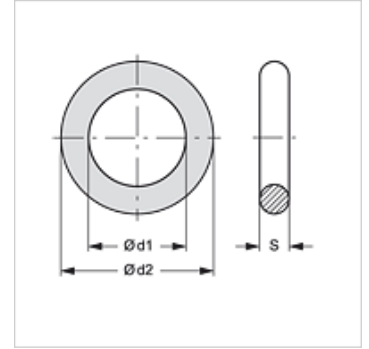
Junta tórica SAE FKM

## Características

Temperatura min. -15 °C

Temperatura max. 200 °C

Material FKM SH 90 ( Viton )



## Artículo

| Denominación       | Tamaño de brida | Ø d1<br>(mm) | S<br>(mm) |
|--------------------|-----------------|--------------|-----------|
| SAE O-RING 1/2 V   | 1/2"            | 18,64        | 3,53      |
| SAE O-RING 3/4 V   | 3/4"            | 24,99        | 3,53      |
| SAE O-RING 1 V     | 1"              | 32,92        | 3,53      |
| SAE O-RING 1 1/4 V | 1.1/4"          | 37,69        | 3,53      |
| SAE O-RING 1 1/2 V | 1.1/2"          | 47,22        | 3,53      |
| SAE O-RING 2 V     | 2"              | 56,74        | 3,53      |
| SAE O-RING 2 1/2 V | 2.1/2"          | 69,44        | 3,53      |
| SAE O-RING 3 V     | 3"              | 85,32        | 3,53      |
| SAE O-RING 3 1/2 V | 3.1/2"          | 98,02        | 3,53      |
| SAE O-RING 4 V     | 4"              | 110,72       | 3,53      |

## Variantes de producto

SAE O-RING Junta tórica SAE, NBR SH 90