

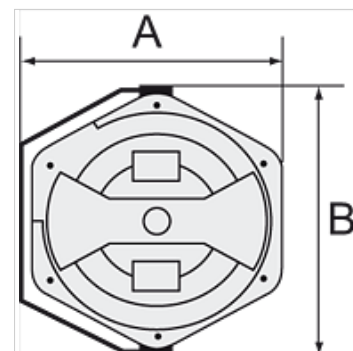
K-SCHL-AUFROLLER LUFT H

Hose reels for compressed air, high flow capacity

HANSA FLEX

Características

Material del tubo flexible	Braided polyurethane
Presión de servicio	máx. 12 bares
Temperatura de servicio	-20 °C to +60 °C
Ángulo de giro	300°



Nota

Otras especificaciones a petición.

Descripción

Specially designed to ensure a high flow capacity. Easy mounting on the wall or ceiling. Closed, rugged, impact-resistant housing made of POM, supply/outlet R 1/4 male thread and lightweight, hard-wearing, oil-resistant polyurethane hose. Incl. 2 m feeder hose.

Artículo

Denominación	Medida de mang.	A (mm)	B (mm)	Long. manguera (m)
K- 07 10 06 14	16 mm x 11 mm	394,5	436,0	10