

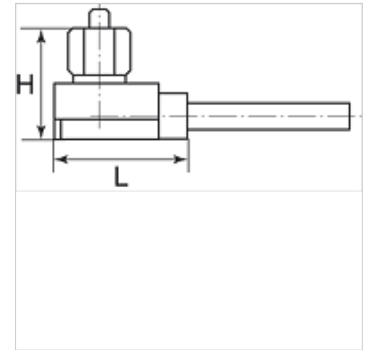
K-VAKUUMSENSOR DIGITAL

Vacuum sensor, digital

HANSA FLEX

Características

| | |
|-----------------------------|---|
| Aplicación | Measurement of vacuum values close to the suction pad Remote evaluation of the signals Processing the output signals, for example, by PLC |
| Medios | dry, oil-free air and non-aggressive gases |
| Rango de temperatura | 0 - 50 °C |
| Señal de salida | 1 to 5 analogous to V |
| Histéresis | Fixed: 20 mbar (model with digital sensor) |
| Long. cable | 3 m |
| Tipo de protecc. | IP 40 |



Nota

Otras especificaciones a petición.

Descripción

Mini-sensor with housing and connection cable, analogue or digital output signal. Minimum size and low weight combined with high measuring accuracy.

Artículo

| Denominación | Conexión | H (mm) | L (mm) | Rango de medición | Tensión |
|----------------|----------|-----------|-----------|-------------------|--------------|
| K- 07 45 01 57 | M 5 male | 16,9 | 21,0 | -1 bis 0 bar | 10 - 24 V DC |