

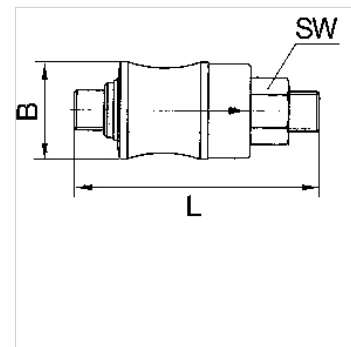
K-HAND-SCHIEBEVENTIL

Manual slide valves

HANSA FLEX

Características

| | |
|-------------------------|-------------|
| Presión de servicio | máx. 10 bar |
| Temperatura de servicio | max. +70 °C |



Nota

Otras especificaciones a petición.

Descripción

For use on devices that have to be vented whenever they are turned off, either because of safety regulations or for technical reasons. The pneumatic devices are disconnected from the system and simultaneously vented each time they are shut off.

Artículo

| Denominación | Rosca | B (mm) | L (mm) | SW (mm) |
|----------------|-------|-----------|-----------|------------|
| K- 07 30 15 92 | G 1/8 | 21,0 | 67,0 | 14 |
| K- 07 30 15 93 | G 1/4 | 24,0 | 77,0 | 17 |
| K- 07 30 15 94 | G 3/8 | 31,0 | 87,0 | 22 |
| K- 07 30 15 95 | G 1/2 | 35,0 | 104,0 | 26 |