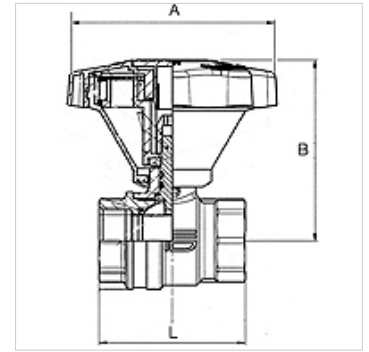


K-BKR FEINEINSTELLUNG

Ball valves

Características

Presión de servicio	Max. 40 bar
Temperatura de servicio	-15 °C to +100 °C
Descripción de rosca	G thread acc. DIN EN ISO 228-1
Carcasa	Nickel-plated brass (outside); Brass with a bare metal surface (inside)
Rueda manual	Plastic
Bola	Chrome-plated brass
Obturación esférica	PTFE
Obturación de husillo	NBR



Nota

Otras especificaciones a petición.

Descripción

Brass ball valves in the standard series with fine adjustment. Unlike our classic standard ball valves (open-close function), this model features a special stem technology that allows finely modulated opening and closing of the line. The flow rate can be regulated extremely precisely as a result. The cock is made of low-lead brass with a bare brass surface on the inside. It is thus safe to use with drinking water. This valve complies with the European standard EN 13828 and the working paper DVGW W 570.

Artículo

Denominación	DN	Rosca	A (mm)	B (mm)	L (mm)
K- 07 30 00 41	10	G 3/8	83,0	63,0	43,4
K- 07 30 00 42	15	G 1/2	83,0	70,0	50,1
K- 07 30 00 43	20	G 3/4	83,0	76,0	58,0
K- 07 30 00 44	25	G 1	83,0	80,0	68,8
K- 07 30 00 45	32	G 1 1/4	130,0	110,0	81,0
K- 07 30 00 46	40	G 1 1/2	130,0	116,0	93,2
K- 07 30 00 47	50	G 2	130,0	123,0	110,2