

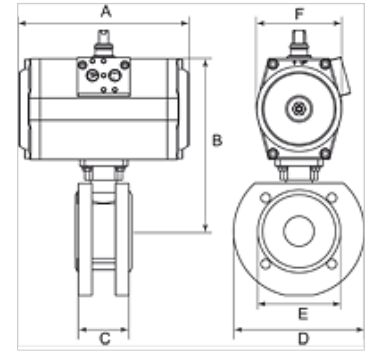
K-BKR KOM

Ball valves (wafer type), with double-acting actuator

HANSA FLEX

Características

| | |
|--------------------------------|---|
| Construcción | Pneumatic actuators, in double- or single acting version, with integrated end-position feedback |
| Presión de servicio | DN 15 - DN 50: max. 40 bar; DN 65 - DN 100: max. 16 bar |
| Temperatura de servicio | -20 °C to +70 °C |
| Áng. giro | 90 ° |
| Presión de control | 5.5 bar |
| Adaptador válv. | Acc. to NAMUR |
| Acción. | aluminium eloxed |
| Obt. de accionam. | NBR |
| LI. bola | Stainless steel 1.4408, with ISO-flange plate |
| Obtur. grifo esférico | PTFE |



Nota

Otras especificaciones a petición.

Descripción

2-way ball valves compact flange type, full bore

Artículo

| Denominación | DN | A (mm) | B (mm) | C (mm) | D (mm) | E (mm) | F (mm) |
|----------------|-----|-----------|-----------|-----------|-----------|-----------|-----------|
| K- 07 30 02 76 | 15 | 116,0 | 125,0 | 40,0 | 95,0 | 45,0 | 61,5 |
| K- 07 30 02 77 | 20 | 116,0 | 129,3 | 44,0 | 105,0 | 58,0 | 61,5 |
| K- 07 30 02 78 | 25 | 133,0 | 138,6 | 53,0 | 115,0 | 68,0 | 68,5 |
| K- 07 30 02 79 | 32 | 137,0 | 158,2 | 58,4 | 135,0 | 78,0 | 80,0 |
| K- 07 30 02 80 | 40 | 161,0 | 176,3 | 62,0 | 145,0 | 88,0 | 92,5 |
| K- 07 30 02 81 | 50 | 161,0 | 185,5 | 78,0 | 155,0 | 102,0 | 92,5 |
| K- 07 30 02 82 | 65 | 180,0 | 205,0 | 100,0 | 185,0 | 122,0 | 92,5 |
| K- 07 30 02 83 | 80 | 209,0 | 240,0 | 120,0 | 200,0 | 138,0 | 110,5 |
| K- 07 30 02 75 | 100 | 221,0 | 272,0 | 152,0 | 220,0 | 158,0 | 120,0 |