

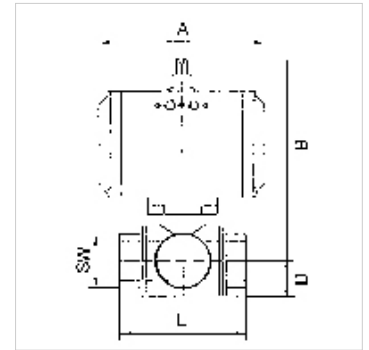
# K-3 BKR STELLANTR D L MS

Brass ball valves, 3-way, with double-acting actuator, L-bore

**HANSA FLEX**

## Características

|                                |   |
|--------------------------------|---|
| <b>Construcción</b>            | Pneumatic actuators, in double- or single acting version, with integrated end-position feedback |
| <b>Taladro</b>                 | en L  |
| <b>Temperatura de servicio</b> | -20 °C to +70 °C  |
| <b>Áng. giro</b>               | 90 °  |
| <b>Presión de control</b>      | 5.5 bar   |
| <b>Adaptador válv.</b>         | Supplied as standard  |
| <b>Accion.</b>                 | aluminium eloxed  |
| <b>Obt. de accionam.</b>       | NBR   |
| <b>LI. bola</b>                | Chrome-plated brass, with ISO-flange plate  |
| <b>Obtur. grifo esférico</b>   | PTFE/FKM  |



## Nota

G thread acc. to DIN EN ISO 228-1, with ISO flange plate (acc. to ISO 5211)  
Otras especificaciones a petición.

## Descripción

3-way cock, L-bore, full bore

## Información adicional

Other T-positions on request

## Artículo

| Denominación   | DN | Rosca    | Posición | PN (bar) | A (mm) | B (mm) | D (mm) | L (mm) | SW (mm) |
|----------------|----|----------|----------|----------|--------|--------|--------|--------|---------|
| K- 07 30 02 84 | 15 | Rp 1/2   | L        | 40       | 116,0  | 133,0  | 20,0   | 64,5   | 25      |
| K- 07 30 02 85 | 20 | Rp 3/4   | L        | 40       | 116,0  | 137,0  | 24,0   | 76,0   | 31      |
| K- 07 30 02 86 | 25 | Rp 1     | L        | 40       | 116,0  | 141,5  | 30,0   | 97,0   | 41      |
| K- 07 30 02 87 | 32 | Rp 1 1/4 | L        | 40       | 133,0  | 165,5  | 37,0   | 118,0  | 55      |
| K- 07 30 02 88 | 40 | Rp 1 1/2 | L        | 25       | 137,0  | 181,5  | 43,0   | 135,0  | 55      |
| K- 07 30 02 89 | 50 | Rp 2     | L        | 25       | 161,0  | 204,0  | 56,0   | 157,0  | 67      |