

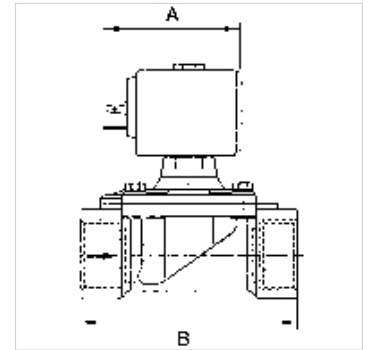
K-MV G Z 24 V DC

Normally closed, combined operation, 24 V DC (direct current)

HANSA FLEX

Características

Conexión eléctrica	For connector socket Pg 9/Pg 11, acc. to ISO 4400
Tipo de protecc.	IP65 (with connector socket fitted)
Temper. de medios	-10 °C to +90 °C (NBR); -10 °C bis +140 °C (FKM)
Carcasa, asiento de vál.	Brass
Piezas int.	Stainless steel
Obturac.	Perbunan (NBR) or FKM



Nota

Otras especificaciones a petición.

Descripción

Economy series available in three different versions: Directly operated, Combined operation, Pilot-operated. For all applications with compressed air, neutral gases or low-viscosity, neutral media.

Artículo

Denominación	Rosca	Presión de servicio máx. (bar)	NW	Material obturador	A (mm)	B (mm)	Forma constructiva
K- 07 30 23 55	G 3/8	14	11,0	NBR/PA	67,0	56,0	8
K- 07 30 23 56	G 1/2	14	16,0	NBR/PA	67,0	70,0	8
K- 07 30 23 57	G 3/4	14	16,0	NBR/PA	67,0	70,0	8
K- 07 30 23 58	G 1	6	25,0	NBR/PA	67,0	104,0	8