

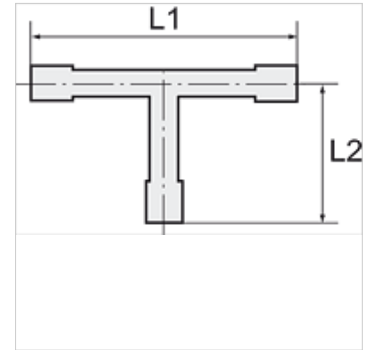
K-T-EINSCHR STUTZEN

Male stud tees, polyamide, conical male thread acc. to ISO 7-1

HANSA FLEX

Características

Rango de temperatura -40 °C to +90 °C



Nota

Otras especificaciones a petición.

Descripción

Lightweight tube connectors distinguished by high strength, toughness, resistance to abrasion and impact resistance. Resistant to: Acetone, benzene, benzene, butane, alcohols, diesel fuels, crude oil, natural gas, ethanol, fruit juices, glycerine, fuel oil, hydraulic fluids, aliphatic ketones, carbon dioxide, carbonic acid, engine oils, methanol, propane, liquefied gas, lubricating oils, lubricating greases, town gas, washing liquor and water.

Artículo

Denominación	Rosca	para tubo flexible	L1 (mm)	L2 (mm)	Sobrepresión máx. admisible (bar)	SW
K- 07 40 16 79	R 1/8	LW 4 mm	42,0	18,0	10	10 mm
K- 07 40 16 80	R 1/8	LW 6 mm	57,0	21,0	10	10 mm
K- 07 40 16 81	R 1/4	LW 4 mm	42,0	23,0	10	14 mm
K- 07 40 16 82	R 1/4	LW 6 mm	57,0	26,0	10	14 mm
K- 07 40 16 83	R 1/4	LW 8 mm	66,0	27,5	10	14 mm
K- 07 40 46 53	R 3/8	LW 10 mm	71,0	30,0	10	17 mm