

K-VT 2-FACH MS NI

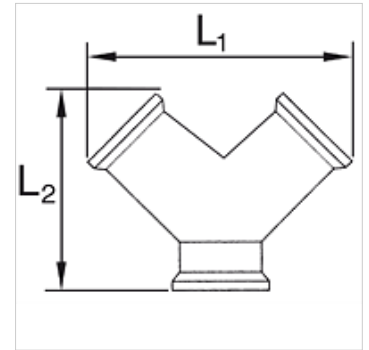
Distributors, 2 outlets, nickel-plated brass

HANSA FLEX

Características

Presión de servicio máx. 10 bar

Material Latón niquelado



Nota

Otras especificaciones a petición.

Artículo

Denominación	Rosca	Outlets	L1 (mm)	L2 (mm)
K- 07 40 40 14	G 1/8 male	2 x female	29,0	32,0
K- 07 40 40 15	G 1/4 male	2 x female	36,0	38,0
K- 07 40 45 63	G 3/8 male	2 x female	41,0	42,5
K- 07 40 45 62	G 1/2 male	2 x female	53,0	53,0
K- 07 40 45 66	G 1/8 female	2 x female	29,0	26,5
K- 07 40 40 82	G 1/4 female	2 x female	36,0	32,0
K- 07 40 40 85	G 3/8 female	2 x female	41,0	37,0
K- 07 40 40 86	G 1/2 female	2 x female	53,0	45,0