

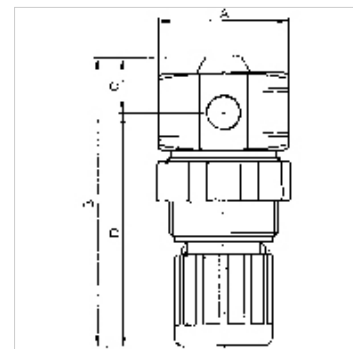
# K-DRG FLUESSIGE MEDIEN O MANO VA

Stainless steel pressure regulators 1.4571

**HANSA FLEX**

## Características

Presión de entrada	Max. 25 bar
Temper. de medios	max. 80 °C
Temp. entorno	Max. 80 °C
Material obturador	FKM
Muelle de compresión	Stainless steel (10 bar variant), Steel (2 and 6 bar variants)
Carcasa	Stainless steel V4A (1.4571)
Piezas int.	Stainless steel V4A (1.4571)
Membrana	FKM
Medic. valor de flujo	At P1 = 8 bar, P2 = 6 bar and pressure drop $\Delta p \leq 1$ bar



## Nota

Otras especificaciones a petición.

## Descripción

Diaphragm pressure regulators with non-self-relieving design. The pressure setting can be locked by pushing the knob down.

## Artículo

Denominación	Rosca	Rango de regulación	Flujo de paso (L/min)	A (mm)	B	C (mm)	D (mm)
K- 07 25 02 12	G 1/4	0.1 - 2 bar	400	36,0	81,0 mm	16,0	65,0
K- 07 25 02 13	G 1/4	0.2 - 6 bar	400	36,0	81,0 mm	16,0	65,0
K- 07 25 02 14	G 1/4	0.5 - 10 bar	350	36,0	81,0 mm	16,0	65,0

## Piezas de repuesto

K-HALTERBAUSATZ	Holder
K-MANO 3	Pressure gauge
K-VERSCHLEI-SATZ	Set of wearing parts