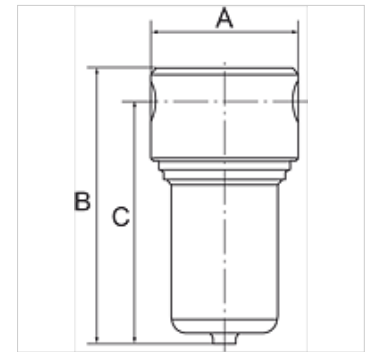


Características

Presión de entrada	Max. 50 bar
Temper. de medios	max. 80 °C
Temp. entorno	Max. 80 °C
Ancho de poros en elemento filtrante	50 µm
Material obturador	FKM
Material	stainless steel 1.4404 (AISI 316L)
Drain valve	Locking screw
Medic. valor de flujo	At P1 = 6 bar and pressure drop $\Delta p \leq 0.6$ bar



Nota

Otras especificaciones a petición.

Descripción

Stainless steel filters containing no non-ferrous metals for use in the food processing, chemical, mining, plant construction and special machinery industries as well as in the medical technology.

Indicaciones para pedidos

Important: This is not a sterile filter! With filter element 5 µm available on request. With manual or fully automatic drain valve on request. With NPT threads available on request.

Artículo

Denominación	Rosca	Flujo de paso (L/min)	A (mm)	B	C (mm)
K- 07 25 05 59	G 1/4	2500	64,0	139,0 mm	125,0
K- 07 25 05 58	G 1/2	3400	80,0	150,0 mm	130,0

Accesorios

K-HALTERBAUSATZ Holder

Piezas de repuesto

K-VERSCHLEI-SATZ Set of wearing parts