

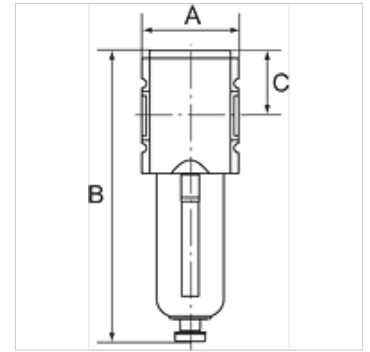
K-FI AK KOH PC-BEHAE SCHUTZK HANSA

Activated carbon filters

HANSA FLEX

Características

Presión de entrada	0 - 16 bar
Rango de temperatura	-10 °C to +50 °C
Medios	aire comprimido
Roscas interiores	Material: Die-cast zinc
Depósito	Polycarbonate (with bayonet lock)
Elem.filtro	Activated carbon
Carcasa	Material: Grivory® (PA 66)
Cesta protectora	Polyamide
Contenido de aceite residual	0.005 mg/m ³ , class 0 acc. to DIN ISO 8573-1
Medic. valor de flujo	At P ₂ = 6 bar and pressure drop $\Delta p = 0.5$ bar



Nota

Otras especificaciones a petición.

Descripción

Activated carbon filters in modern design for compliance with strict compressed air purity requirements. Activated carbon filters are used to absorb oil vapour up to a residual oil content of 0.005 mg/m³ from compressed air and gases.

Artículo

Denominación	Rosca	Flujo de paso (L/min)	A (mm)	B	C (mm)
K- 07 25 10 41	G 1/4	500	52,0	157,0 mm	34,0
K- 07 25 10 42	G 3/8	500	52,0	157,0 mm	34,0
K- 07 25 10 43	G 3/8	1600	63,0	183,0 mm	42,5
K- 07 25 10 44	G 1/2	1600	63,0	183,0 mm	42,5
K- 07 25 10 23	G 3/4	3000	85,0	240,5 mm	58,0
K- 07 25 10 24	G 1	3000	85,0	240,5 mm	58,0

Piezas de repuesto

K-HALTERBAUSATZ HANSA	Holder HANSA
K-ERSATZBEHAELTER HANSA POLY	Spare tank HANSA polycarbonat