

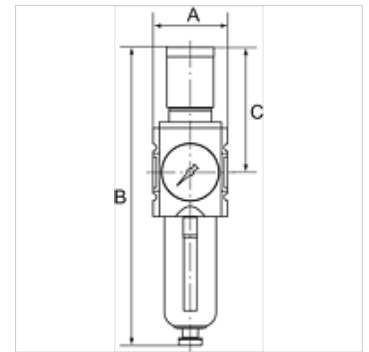
# K-FI REGL PC-BEHAEL S MANO HANSA

Filter regulators

**HANSA FLEX**

## Características

Presión de entrada	1.5 - 16 bar
Presión inicial	0.5 - 8 bar
Rango de temperatura	-10 °C to +50 °C
Medios	aire comprimido
Finura del filtro	5,00 µm
Roscas interiores	Material: Die-cast zinc
Depósito	Polycarbonate (with bayonet lock)
Elem.filtro	Cellpor (PE)
Carcasa	Material: Grivory® (PA 66)
Membrana	NBR
Consumo de aire propio	Max. 1.5 l/min (depending on secondary pressure)
Medic. valor de flujo	At P1 = 10 bar, P2 = 6.3 bar and pressure drop $\Delta p = 1$ bar



## Nota

Otras especificaciones a petición.

## Descripción

Filter regulators with excellent flow rates in modern design. The regulator knob can be latched and locked.

## Indicaciones para pedidos

The price does not include a key lock. Please order separately.

## Artículo

Denominación	Rosca	Flujo de paso (L/min)	A (mm)	B	C (mm)	Tamaño constructivo	Salida de condensado
K- 07 25 06 57	G 1/4	2200	52,0	225,0 mm	95,5	-	Semi
K- 07 25 06 58	G 3/8	2600	52,0	225,0 mm	95,5	-	Semi
K- 07 25 06 59	G 3/8	4300	63,0	257,0 mm	110,0	-	Semi
K- 07 25 06 60	G 1/2	5200	63,0	257,0 mm	110,0	-	Semi
K- 07 25 06 53	G 3/4	14000	85,0	329,0 mm	137,0	-	Semi
K- 07 25 06 54	G 1	14000	85,0	329,0 mm	137,0	-	Semi
K- 07 25 06 61	G 1/4	2200	52,0	243,0 mm	95,5	-	Auto
K- 07 25 06 62	G 3/8	2600	52,0	243,0 mm	95,5	-	Auto
K- 07 25 06 63	G 3/8	4300	63,0	274,0 mm	110,0	-	Auto
K- 07 25 06 64	G 1/2	5200	63,0	274,0 mm	110,0	-	Auto
K- 07 25 06 55	G 3/4	14000	85,0	343,0 mm	137,0	4	Auto
K- 07 25 06 56	G 1	14000	85,0	343,0 mm	137,0	4	Auto

## Accesorios

K-STECKSCHLOSS Key lock

## Piezas de repuesto

K-HALTERBAUSATZ HANSA	Holder HANSA
K-ERSATZBEHAELTER HANSA POLY	Spare tank HANSA polycarbonat
K-SCHALTAFELMUTTER HANSA	Nut HANSA
K-FILTERELEMENT	Filter element
K-DICHTSATZ HANSA	Set of seals HANSA