

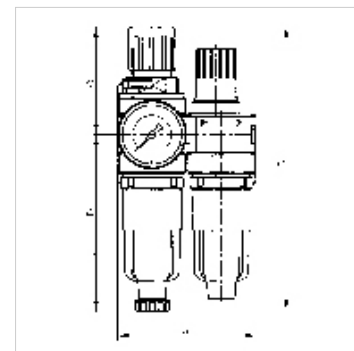
K-WTEH 3-TLG PC MULTIFIX MINI

Service units, 3-piece with polycarbonate bowl

HANSA FLEX

Características

Presión de entrada	Max. 12 bar (also for metal tank!)
Temper. de medios	max. 60 °C
Temp. entorno	Max. 60 °C
Ancho de poros en elemento filtrante	5 µm
Material obturador	NBR
Caperuza elást.	POM-brass
Carcasa	Die-cast zinc
Suplem. de goteo	PA (polycarbonate bowl), Zinc-glass-NBR (metal bowl)
Drain valve	Semi-automatic
Medic. valor de flujo	At P1 = 8 bar, P2 = 6 bar and pressure drop $\Delta p = 1$ bar



Nota

Otras especificaciones a petición.

Descripción

Two or three-piece service units consisting of a diaphragm pressure regulator, independent of inlet pressure, with self-relieving design, combined with a centrifugal separator and a proportional lubricator.

Indicaciones para pedidos

Lockable service units available on request. If several devices in the »multiflex-mini« Series are assembled together, the maximum working pressure is 12 bar.

Artículo

Denominación	Rosca	Rango de regulación	Flujo de paso (L/min)	A (mm)	B	C (mm)	D (mm)	DN	Tamaño constructivo
K- 07 25 01 06	G 1/8	0.5 - 10 bar	700	120,0	165,5 mm	63,0	102,5	5	0
K- 07 25 01 08	G 1/4	0.5 - 10 bar	700	120,0	165,5 mm	63,0	102,5	5	0

Piezas de repuesto

K-HALTERBAUSATZ	Holder
K-AUTOMAT ABLASSVENTIL	Automatic drain valve
K-SCHALTTAFELMUTTER	Nut
K-KOPPELPAKET MEHR	Coupling packet
K-ERSATZBEHAELTER MULTI MINI	Spare tank »multiflex-mini« & »standard-mini«
K-PC-BEHAELTER FILTER MULTIFIX	Polycarbonate tank filter
K-FILTERELEMENT	Filter element
K-VERSCHLEI-SATZ	Set of wearing parts
K-TROPFAUFSATZ POLYCARBO 1	Drip attachment polycarbonate
K-TROPFAUFSATZ METALL	Drip attachment metal