

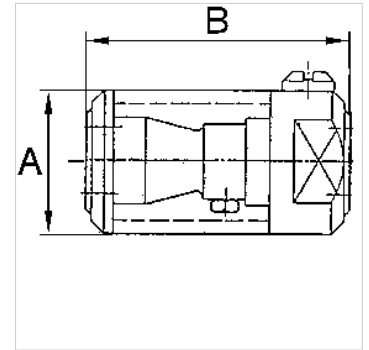
K-NEBELOELER MINI

Mini oil-mist lubricator

HANSA FLEX

Características

Presión de servicio	min. 2 bar - max. 6 bar
Temper. de medios	max. 50 °C
Temp. entorno	Max. 50 °C
Pos. montaje sentido del flujo	Oil intake at the lowest point/any
Depós. de aceite	Polycarbonate
Tipo de aceite	CL 32 acc. to DIN 51517 - ISO VG 32



Nota

Otras especificaciones a petición.

Descripción

For mounting on pneumatic impact tools (nail drivers, tackers, screwdrivers) which work intermittently. Also suitable for tools with continuous compressed air demand (grinding and polishing machines). Fixed drip rate: Approx. 0.4 cm³ per 100 work cycles, one filling = 3000 work cycles. Oil consumption in continuous operation (at 6 bar): 0.15 cm³ / Nm³ (varies depending on ambient temperature and oil used).

Artículo

Denominación	Rosca	A (mm)	B	DN
K- 07 25 09 11	G 1/4	33,0	60,0 mm	8
K- 07 25 09 12	G 3/8	33,0	60,0 mm	8