

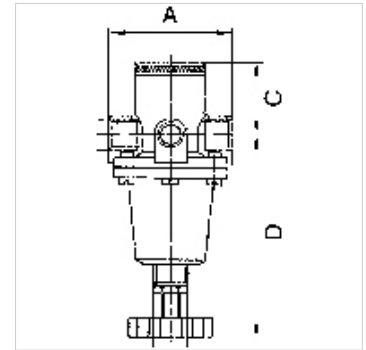
K-DRG SCHALTTAFELEINBAU STANDARD

Pressure regulators

HANSA FLEX

Características

| | |
|-----------------------|---|
| Presión de entrada | Max. 16 bar K-07250359 - K-07250366), max. 25 bar (K-07250367 - K-07250378) |
| Temper. de medios | max. 60 °C |
| Temp. entorno | Max. 80 °C |
| Material obturador | NBR |
| Carcasa | Die-cast zinc, painted silver |
| Medic. valor de flujo | At P1 = 8 bar, P2 = 6 bar and pressure drop $\Delta p = 1$ bar |
| Otras especific. | User manual on request |



Descripción

- incl. panel nut and washer -, Reversible diaphragm pressure regulators, independent of inlet pressure, with self-relieving design.

Artículo

| Denominación | Rosca | Rango de regulación | Flujo de paso (L/min) | A (mm) | C (mm) | D (mm) | DN | Rosca de panel de control |
|----------------|-------|---------------------|-----------------------|--------|--------|--------|----|---------------------------|
| K- 07 25 03 59 | G 1/4 | 0.5 - 3 bar | 1000 | 54,0 | 32,0 | 97,5 | 6 | M 20 x 1.5 |
| K- 07 25 03 60 | G 1/4 | 0.5 - 6 bar | 1000 | 54,0 | 32,0 | 97,5 | 6 | M 20 x 1.5 |
| K- 07 25 03 61 | G 1/4 | 0.5 - 10 bar | 1000 | 54,0 | 32,0 | 97,5 | 6 | M 20 x 1.5 |
| K- 07 25 03 62 | G 1/4 | 0.5 - 16 bar | 1000 | 54,0 | 32,0 | 97,5 | 6 | M 20 x 1.5 |
| K- 07 25 03 63 | G 3/8 | 0.5 - 3 bar | 1000 | 54,0 | 32,0 | 97,5 | 6 | M 20 x 1.5 |
| K- 07 25 03 64 | G 3/8 | 0.5 - 6 bar | 1000 | 54,0 | 32,0 | 97,5 | 6 | M 20 x 1.5 |
| K- 07 25 03 65 | G 3/8 | 0.5 - 10 bar | 1000 | 54,0 | 32,0 | 97,5 | 6 | M 20 x 1.5 |
| K- 07 25 03 66 | G 3/8 | 0.5 - 16 bar | 1000 | 54,0 | 32,0 | 97,5 | 6 | M 20 x 1.5 |
| K- 07 25 03 67 | G 1/2 | 0.1 - 3 bar | 2200 | 70,0 | 34,0 | 111,9 | 15 | M 20 x 1.5 |
| K- 07 25 03 68 | G 1/2 | 0.5 - 6 bar | 2200 | 70,0 | 34,0 | 111,9 | 15 | M 20 x 1.5 |
| K- 07 25 03 69 | G 1/2 | 0.5 - 10 bar | 2200 | 70,0 | 34,0 | 111,9 | 15 | M 20 x 1.5 |
| K- 07 25 03 70 | G 1/2 | 0.5 - 16 bar | 2200 | 70,0 | 34,0 | 111,9 | 15 | M 20 x 1.5 |
| K- 07 25 03 71 | G 3/4 | 0.1 - 3 bar | 5000 | 90,0 | 31,0 | 132,4 | 20 | M 20 x 1.5 |
| K- 07 25 03 72 | G 3/4 | 0.5 - 6 bar | 5000 | 90,0 | 31,0 | 132,4 | 20 | M 20 x 1.5 |
| K- 07 25 03 73 | G 3/4 | 0.5 - 10 bar | 5000 | 90,0 | 31,0 | 132,4 | 20 | M 20 x 1.5 |
| K- 07 25 03 74 | G 3/4 | 0.5 - 16 bar | 5000 | 90,0 | 31,0 | 132,4 | 20 | M 20 x 1.5 |
| K- 07 25 03 75 | G 1 | 0.1 - 3 bar | 5000 | 90,0 | 31,0 | 132,4 | 25 | M 20 x 1.5 |
| K- 07 25 03 76 | G 1 | 0.5 - 6 bar | 5000 | 90,0 | 31,0 | 132,4 | 25 | M 20 x 1.5 |
| K- 07 25 03 77 | G 1 | 0.5 - 10 bar | 5000 | 90,0 | 31,0 | 132,4 | 25 | M 20 x 1.5 |
| K- 07 25 03 78 | G 1 | 0.5 - 16 bar | 5000 | 90,0 | 31,0 | 132,4 | 25 | M 20 x 1.5 |

Piezas de repuesto

| | |
|----------------------------|---|
| K-HALTERBAUSATZ STANDARD | Holder |
| K-VERSCHLEI-SATZ | Set of wearing parts |
| K-LOESBARE DOPPELNIPPEL MS | Double nipples |
| K-XV AGM MS NI | Double nipples, parallel male thread, nickel-plated brass |