

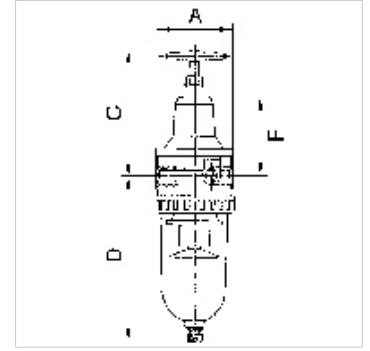
K-FI REGL METALLBEHAE M ABLV STANDA

Filter regulators with metal bowl and manual drain valve

HANSA FLEX

Características

Presión de entrada	Max. 16 bar (polycarbonate bowl), Max. 25 bar (metal bowl)
Rango de regulación	0.5 to 10 bar (polycarbonate bowl), 0.5 to 16 bar (metal bowl)
Temper. de medios	max. 60 °C
Temp. entorno	Max. 60 °C
Ancho de poros en elemento filtrante	5 µm (Size 1 / Size 3), 40 µm (Size 2 / Size 4)
Material obturador	NBR
Carcasa	Die-cast zinc (G1/4 to G1/2), silver painted/aluminium (G3/4 to G1), silver painted
Medic. valor de flujo	At P1 = 8 bar, P2 = 6 bar and pressure drop $\Delta p = 1$ bar



Nota

Otras especificaciones a petición.

Descripción

Reversible diaphragm pressure regulators, independent of inlet pressure, with selfrelieving design, combined with a centrifugal separator.

Artículo

Denominación	Rosca	Flujo de paso (L/min)	A (mm)	C (mm)	D (mm)	DN	F (mm)
K- 07 25 06 69	G 1/4	900	54,0	106,5	133,5	8	62,0
K- 07 25 06 72	G 3/8	900	54,0	106,5	133,5	8	62,0
K- 07 25 06 75	G 3/8	1500	70,0	120,5	161,0	11	76,5
K- 07 25 06 77	G 1/2	3000	82,0	130,0	172,0	14	83,0
K- 07 25 06 80	G 3/4	7000	125,0	190,6	264,0	25	145,0
K- 07 25 06 83	G 1	7000	125,0	190,6	264,0	25	145,0

Piezas de repuesto

K-HALTERBAUSATZ STANDARD	Holder
K-SCHUTZKORB G	Protective cage
K-FILTERELEMENT	Filter element
K-VERSCHLEI-SATZ	Set of wearing parts
K-XV AGM MS NI	Double nipples, parallel male thread, nickel-plated brass
K-LOESBARE DOPPELNIPPEL MS	Double nipples
K-ABLASSVENTIL AUTO	Fully-automatic drain valve with Adapter G 1/8
K-AUTOMAT ABLASSVENTIL	Automatic drain valve