

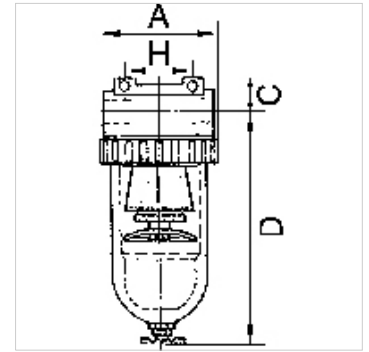
K-FI SPEZI METALLBEHAEL M STANDARD

Special filters with metal bowl and manual drain valve

HANSA FLEX

Características

| | |
|--------------------------------------|-------------------------------------------------------------------------|
| Presión de entrada | Max. 16 bar (polycarbonate bowl / bowl guard), Max. 25 bar (metal bowl) |
| Temper. de medios | max. 50 °C |
| Temp. entorno | Max. 50 °C |
| Efectividad | 99.999 % |
| Ancho de poros en elemento filtrante | 0.01 µm |
| Carcasa | Die-cast zinc, painted silver |
| Medic. valor de flujo | At P2 = 6 bar and pressure drop $\Delta p = 1$ bar |



Nota

Otras especificaciones a petición.

Descripción

For all applications with particularly strict compressed air purity requirements. The separating efficiency of these filters permits very fine oil vapour particles and micro-fine suspended particles to be filtered. A standard filter should always be connected upstream to trap coarse impurities and protect the micro-filter inserts.

Artículo

| Denominación | Rosca | Flujo de paso (L/min) | A (mm) | C (mm) | D (mm) | H (mm) | DN |
|----------------|-------|-----------------------|--------|--------|--------|--------|----|
| K- 07 25 10 74 | G 1/4 | 380 | 48,0 | 14,0 | 133,5 | 38,0 | 6 |
| K- 07 25 10 77 | G 3/8 | 380 | 48,0 | 14,0 | 133,5 | 38,0 | 6 |
| K- 07 25 10 79 | G 3/8 | 720 | 70,0 | 16,0 | 159,0 | 50,0 | 10 |
| K- 07 25 10 81 | G 1/2 | 1250 | 79,0 | 18,0 | 171,0 | 50,0 | 15 |
| K- 07 25 10 84 | G 3/4 | 7000 | 133,0 | 36,0 | 206,0 | 134,0 | 20 |
| K- 07 25 10 87 | G 1 | 7000 | 133,0 | 36,0 | 206,0 | 120,0 | 25 |

Piezas de repuesto

| | |
|----------------------------|-----------------------------------------------------------|
| K-HALTERBAUSATZ STANDARD | Holder |
| K-FILTERELEMENT STANDARD | Filter element |
| K-SCHUTZKORB G | Protective cage |
| K-XV AGM MS NI | Double nipples, parallel male thread, nickel-plated brass |
| K-LOESBARE DOPPELNIPPEL MS | Double nipples |