

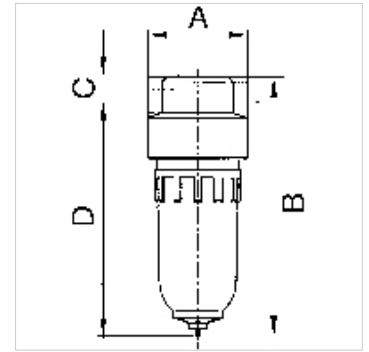
# K-FI METALLBEHAELTER STANDARD-MINI

Filters with metal bowl

**HANSA FLEX**

## Características

Presión de entrada	Max. 16 bar (polycarbonate bowl), Max. 25 bar (metal bowl)
Temper. de medios	max. 60 °C
Temp. entorno	Max. 60 °C
Flujo de paso	800 l/min
Ancho de poros en elemento filtrante	8 µm
Material obturador	NBR
Carcasa	Die-cast zinc, painted silver
Drain valve	Semi-automatic for variant with polycarbonate bowl, Manual for variant with metal bowl
Medic. valor de flujo	At P2 = 6 bar and pressure drop $\Delta p = 1$ bar
Otras especific.	User manual on request



## Descripción

Centrifugal separators with a sintered filter element. Compact design.

## Artículo

Denominación	Rosca	A (mm)	B	C (mm)	D (mm)	DN
K- 07 25 05 83	G 1/8	40,0	108,5 mm	10,0	98,5	5
K- 07 25 05 84	G 1/4	40,0	108,5 mm	10,0	98,5	5

## Piezas de repuesto

K-ERSATZBEHAELTER MULTI MINI	Spare tank »multifix-mini« & »standard-mini«
K-PC-BEHAELTER FILTER MULTIFIX	Polycarbonate tank filter
K-FILTERELEMENT	Filter element
K-AUTOMAT ABLASSVENTIL	Automatic drain valve
K-LOESBARE DOPPELNIPPEL MS	Double nipples
K-XV AGM MS NI	Double nipples, parallel male thread, nickel-plated brass