

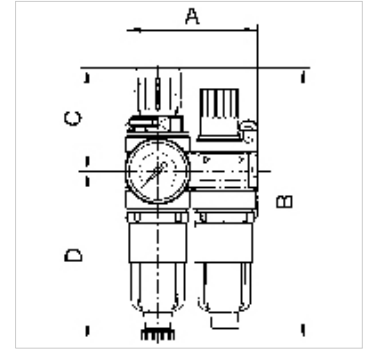
K-WTEH 2-TLG MET MANO TROPF STAN-MI

Service units, 2-piece with metal bowl and pressure gauge, metal sight dome

HANSA FLEX

Características

| | |
|--------------------------------------|--|
| Presión de entrada | Max. 16 bar (polycarbonate bowl), Max. 25 bar (metal bowl) |
| Temper. de medios | max. 60 °C |
| Temp. entorno | Max. 60 °C |
| Flujo de paso | 350 l/min (2-piece), 300 l/min (3-piece) |
| Ancho de poros en elemento filtrante | 5 µm |
| Material obturador | NBR |
| Carcasa | Die-cast zinc, painted silver |
| Suplem. de goteo | PA (polycarbonate bowl), Zinc-glass-NBR (metal bowl) |
| Drain valve | Semi-automatic for variant with polycarbonate bowl, Manual for variant with metal bowl |
| Medic. valor de flujo | At P1 = 8 bar, P2 = 6 bar and pressure drop $\Delta p = 1$ bar |



Nota

Otras especificaciones a petición.

Descripción

Compact, two or three-piece service units consisting of a reversible diaphragm pressure regulator, independent of inlet pressure, with self-relieving design, combined with a centrifugal separator and a proportional lubricator.

Artículo

| Denominación | Rosca | Rango de regulación | A (mm) | B | C (mm) | D (mm) | DN |
|----------------|-------|---------------------|-----------|----------|-----------|-----------|----|
| K- 07 25 14 90 | G 1/8 | 0.5 - 10 bar | 85,0 | 167,0 mm | 65,0 | 102,0 | 5 |
| K- 07 25 14 92 | G 1/4 | 0.5 - 10 bar | 85,0 | 167,0 mm | 67,0 | 102,0 | 5 |

Piezas de repuesto

| | |
|--------------------------------|---|
| K-HALTERBAUSATZ | Holder |
| K-SCHALTAFELMUTTER | Nut |
| K-ERSATZBEHAELTER MULTI MINI | Spare tank »multifix-mini« & »standard-mini« |
| K-PC-BEHAELTER FILTER MULTIFIX | Polycarbonate tank filter |
| K-VERSCHLEI-SATZ | Set of wearing parts |
| K-FILTERELEMENT | Filter element |
| K-AUTOMAT ABLASSVENTIL | Automatic drain valve |
| K-TROPFAUFSATZ POLYCARBO | Drip attachment polycarbonate |
| K-TROPFAUFSATZ METALL | Drip attachment metal |
| K-LOESBARE DOPPELNIPPEL MS | Double nipples |
| K-XV AGM MS NI | Double nipples, parallel male thread, nickel-plated brass |