

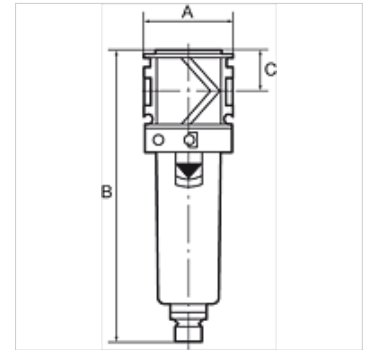
K-FI PC-BEHAELTER VARIOBLOC

Filters with polycarbonate bowl

HANSA FLEX

Características

Presión de entrada	Max. 16 bar (polycarbonate bowl), Max. 20 bar (metal bowl)
Temper. de medios	max. 50 °C
Temp. entorno	Max. 50 °C (polycarbonate bowl), Max. 80 °C (metal bowl)
Ancho de poros en elemento filtrante	40 µm
Material obturador	NBR
Carcasa	Die-cast zinc
Drain valve	Manual
Medic. valor de flujo	At P1 = 6 bar and pressure drop $\Delta p = 1$ bar



Nota

Otras especificaciones a petición.

Descripción

Centrifugal separators with a sintered filter element. Filtration takes place in a 2-stage process comprising cyclone separation (condensate) and a PE filter element (particles). Approved series in modern industrial design, with the following key benefits: Simple handling, Convenient modular assembly thanks to innovative fasteners, Excellent flow values.

Indicaciones para pedidos

Filters are also available with bowl guard or metal bowl.

Artículo

Denominación	Rosca	Flujo de paso (L/min)	A (mm)	B	C (mm)
K- 07 25 06 25	G 1/4	1800	48,0	155,0 mm	22,0
K- 07 25 06 27	G 3/8	2000	48,0	155,0 mm	22,0
K- 07 25 06 29	G 1/2	3200	70,0	202,0 mm	26,0
K- 07 25 06 31	G 3/4	3500	70,0	202,0 mm	26,0
K- 07 25 06 33	G 1	3500	124,0	202,0 mm	26,0

Piezas de repuesto

K-ERSATZBEHAELTER VARIOBLOC POLY	Spare tank Polycarbonat
K-FILTERELEMENT VARIOBLOC	Filter element
K-ABLASSVENTIL AUTO	Fully-automatic drain valve with Adapter G 1/8