

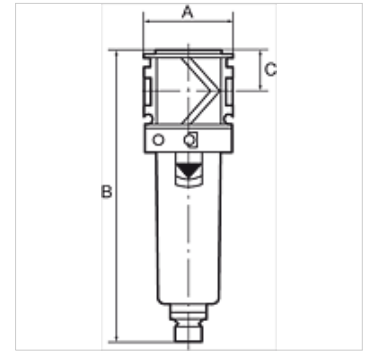
K-FI MIKRO METALLBEH SICHT VARIOBLO

Micro-filters with metal bowl, incl. sight glass

HANSA FLEX

Características

Presión de entrada	Max. 16 bar (polycarbonate bowl), Max. 20 bar (metal bowl)
Temper. de medios	max. 50 °C
Temp. entorno	Max. 50 °C (polycarbonate bowl), Max. 80 °C (metal bowl)
Finura del filtro	0,01 µm
Calidad de aire ISO 85731	Class 1 dirt, class 1 oil
Efectividad	99.999 %
Medic. valor de flujo	At P1 = 7 bar and pressure drop $\Delta p = 0,1$ bar



Nota

Otras especificaciones a petición.

Descripción

Borosilicate filter for all applications where compliance with strict compressed air purity requirements is vital. As the second stage downstream of the standard filter, the micro-filter removes 99.999 % of even the finest remaining particles from water, oil and dirt with practically zero residues (filter rating: 0.01 µm).

Indicaciones para pedidos

Micro-filters are also available with bowl guard or metal bowl.

Artículo

Denominación	Rosca	Flujo de paso (L/min)	A (mm)	B	C (mm)
K- 07 25 10 90	G 1/4	370	48,0	155,0 mm	22,0
K- 07 25 10 92	G 3/8	420	48,0	155,0 mm	22,0
K- 07 25 10 94	G 1/2	1000	70,0	202,0 mm	26,0
K- 07 25 10 96	G 3/4	1100	70,0	202,0 mm	26,0
K- 07 25 10 98	G 1	1100	124,0	202,0 mm	26,0

Piezas de repuesto

K-ERSATZBEHAELTER VARIOBLOC POLY	Spare tank Polycarbonat
K-FILTERELEMENT VARIOBLOC	Filter element
K-ABLASSVENTIL AUTO	Fully-automatic drain valve with Adapter G 1/8