

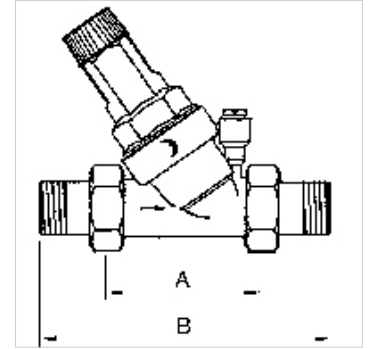
K-DRG SAXONIA M MANO

Pressure regulators

HANSA FLEX

Características

Presión de entrada	Max. 16 bar
Medios	Drinking water
Temperatura de servicio	Max. 30 °C
Material obturador	NBR
Caperuza elást.	Plastic
Carcasa	Brass
Taza de filtro	Plastic, with control dial for back pressure
Otras especific.	DVGW Zertifikat



Nota

Otras especificaciones a petición.

Descripción

Diaphragm pressure regulators with pressure-reduced single-seated valve and built-in strainer. These pressure regulators, which are independent of inlet pressure, protect domestic water installations against excessive supply pressure. They can also be used for commercial or industrial purposes providing their specification is adequate.

Artículo

Denominación	Rosca	DN	Rango de regulación	Flujo valor de kvs (m ³ /h)	A (mm)	B
K- 07 25 04 72	R 3/4	20	1.5 - 6 bar	3,4	90,0	158,0 mm
K- 07 25 04 73	R 1	25	1.5 - 6 bar	5,3	100,0	184,0 mm
K- 07 25 04 74	R 1 1/4	32	1.5 - 6 bar	8,6	130,0	228,0 mm

Piezas de repuesto

K-VENTILAUSTAUSCHSATZ	Valve replacement kit
K-ERSATZSIEBE	Replacement strainer
K-RMM U STAHL	Standard pressure gauges (sheet steel housing / connection radial on bottom)