

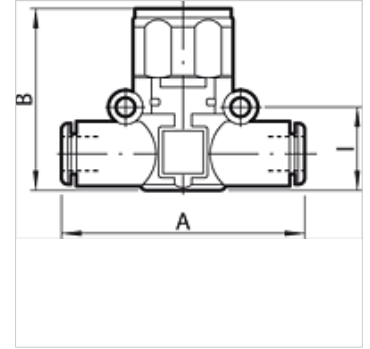
# K-MANO SCHL SCHL

Pressure gauges, pipe - pipe

**HANSA FLEX**

## Características

Presión de servicio	máx. 12 bares
Precisión med.	+/- 4 % of full-scale value
Escalada	0 - 12 bar
Rango de temperatura	-20 °C to +60 °C
Cuerpo	Technopolymer
Piezas int.	nickel-plated brass, brass, technopolymer, stainless steel
Material obturador	NBR
Montaje	Wall mounting (housing with drilled holes) Bracket mounting (mounting bracket available) Panel mounting (with bracket or lock nut)
Símbolo	on the housing



## Nota

Otras especificaciones a petición.

## Descripción

A carefully selected assortment of products for installation in pneumatic circuits. These small, highly efficient components allow all pneumatic functions to be implemented anywhere in the circuit. The series has an ultramodular design. All components can be installed in parallel, in series, in a mixed parallel / serial configuration. Available as Pipe / pipe connection with two plug connectors Thread / pipe connection, with one plug connector and one nickel-plated brass thread.

## Artículo

Denominación	para Ø de manguera (mm)	A (mm)	B (mm)	l (mm)
K- 07 15 25 38	4	41,8	36,1	12,8
K- 07 15 14 11	6	49,0	35,0	14,6
K- 07 15 14 12	8	57,2	41,1	18,7