

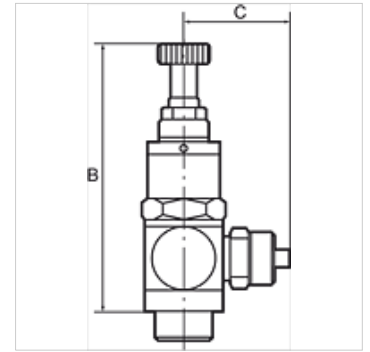
# K-KDR STECK

Mini pressure regulators, discharge port on thread, plug-in connector

**HANSA FLEX**

## Características

Rango de regulación	0 - 8 bar
Presión de entrada	Max. 10 bar
Rango de temperatura	0 °C to +70 °C
Tornillo hueco, brazo glr., torn. regulador	Nickel-plated brass
Piezas int.	Brass with a bare metal surface
Junta labial anillo tórico	NBR
Juntas (imperdibles)	Polyamide (glass fibre-reinforced)



## Nota

Otras especificaciones a petición.

## Descripción

Piston pressure regulator with self-relieving design, hollow bolt and pivoting ring piece. The regulator is screwed directly into the consumer (e.g. cylinder, handling equipment, etc.). The working pressure can thus be adapted to the specific application.

## Artículo

Denominación	C (mm)	para tubo flexible	Rosca	SW	B (mm)
K- 07 25 08 40	19,5	4 mm	G 1/8	15 mm	56,0
K- 07 25 08 41	22,0	6 mm	G 1/8	15 mm	56,0
K- 07 25 08 42	22,5	8 mm	G 1/8	15 mm	56,0
K- 07 25 08 38	23,5	6 mm	G 1/4	17 mm	63,0
K- 07 25 08 39	24,0	8 mm	G 1/4	17 mm	63,0
K- 07 25 08 37	26,5	10 mm	G 1/4	17 mm	63,0