

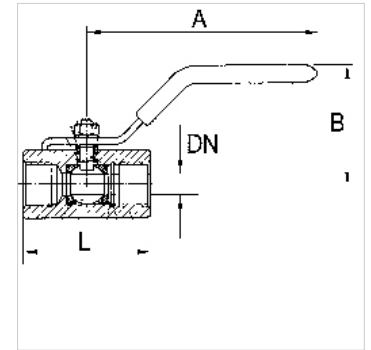
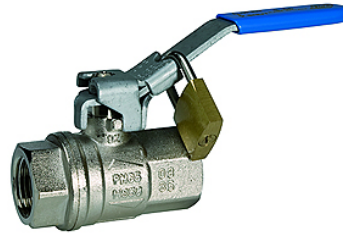
K-S-BKR O ENTL ABSCHL

Safety ball valves, lockable, without relief port

HANSA FLEX

Características

| | |
|-----------------------|---|
| Descripción de rosca | Rp thread acc. to EN 10226 |
| Temperatura | -40 ° C up to max. +170 ° C; Warning: The freezing fluid in the system may damage the valve difficult |
| Carcasa | Nickel-plated brass |
| Palanca manual | Steel - PVC coated |
| Obturación esférica | PTFE |
| Obturación de husillo | PTFE |



Nota

G thread acc. to DIN EN ISO 228-1, with ISO flange plate (acc. to ISO 5211)
Otras especificaciones a petición.

Descripción

2/2-way safety ball valves made of nickel-plated brass. Specially designed for pneumatic applications. The ball valve can be locked manually. Full bore, heavy-duty type.

Información adicional

The price does not include a padlock. Please order separately.

Artículo

| Denominación | DN | Rosca | PN (bar) | A (mm) | B (mm) | L (mm) |
|----------------|----|----------|----------|--------|--------|--------|
| K- 07 30 21 29 | 8 | Rp 1/4 | 65 | 82,0 | 39,5 | 51,0 |
| K- 07 30 21 30 | 10 | Rp 3/8 | 65 | 82,0 | 39,5 | 51,0 |
| K- 07 30 21 31 | 15 | Rp 1/2 | 65 | 100,0 | 43,0 | 61,0 |
| K- 07 30 21 32 | 20 | Rp 3/4 | 40 | 120,0 | 52,5 | 74,5 |
| K- 07 30 21 33 | 25 | Rp 1 | 40 | 120,0 | 57,0 | 90,5 |
| K- 07 30 21 34 | 32 | Rp 1 1/4 | 30 | 158,0 | 78,0 | 104,0 |
| K- 07 30 21 35 | 40 | Rp 1 1/2 | 30 | 158,0 | 85,0 | 117,0 |
| K- 07 30 21 36 | 50 | Rp 2 | 30 | 158,0 | 92,0 | 135,0 |

Accesorios

K-VORHAENGESCHLOSS Padlock