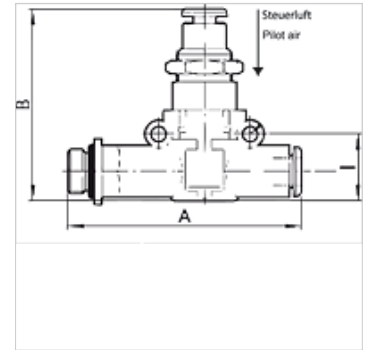
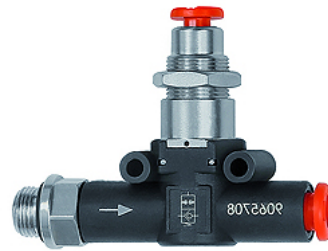


# K-PNEU ENTSPRV SCHL AG

## Pneumatically piloted stop valves, pipe - thread

### Características

<b>Presión de servicio</b>	máx. 10 bar
<b>Flujo 6,3bar, p=1bar</b>	400 NI/min (Ø 6), 790 NI/min (Ø 8)
<b>Conexión aire de ajuste</b>	4 mm
<b>Rango de temperatura</b>	-20 °C to +60 °C
<b>Cuerpo</b>	Technopolymer
<b>Piezas int.</b>	nickel-plated brass, brass, \ntechnopolymer, stainless steel
<b>Material obturador</b>	NBR
<b>Montaje</b>	Wall mounting (housing with drilled holes) Bracket mounting (mounting bracket available) Panel mounting (with bracket or lock nut)
<b>Símbolo</b>	on the housing



### Nota

Otras especificaciones a petición.

### Descripción

A carefully selected assortment of products for installation in pneumatic circuits. These small, highly efficient components allow all pneumatic functions to be implemented anywhere in the circuit. The series has an ultramodular design. <br>All components can be installed In parallel, In series, In a mixed parallel / serial configuration. Available as Pipe / pipe connection with two plug connectors Thread / pipe connection, with one plug connector and one nickel-plated brass thread.

### Artículo

Denominación	Rosca	para Ø de manguera (mm)	A (mm)	B (mm)	I (mm)
K- 07 15 25 57	G 1/8	6	58,5	43,2	14,6
K- 07 15 25 58	G 1/8	8	66,2	49,7	18,7
K- 07 15 25 55	G 1/4	6	61,5	43,2	14,6
K- 07 15 25 56	G 1/4	8	70,6	49,7	18,7
K- 07 15 25 59	G 3/8	8	72,2	49,7	18,7