

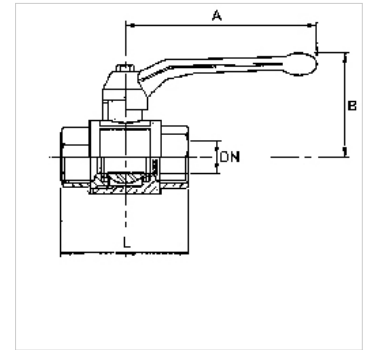
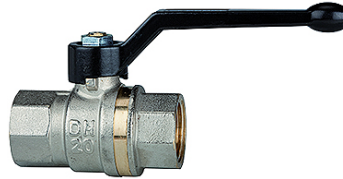
K-BKR LANG IG IG

Ball valves, long-threaded type, female/female thread

HANSA FLEX

Características

Campo de aplicación	Compressed air, water, non-toxic and non-corrosive gases, heating systems, agriculture
Presión de servicio	Max. 40 bar
Temperatura de servicio	-15 °C to +90 °C
Descripción de rosca	Thread acc. to ISO 7-1
Carcasa	Nickel-plated brass
Palanca	Aluminium, painted black
Bola	Chrome-plated brass
Obturación esférica	PTFE
Obturación de husillo	NBR / EPDM



Nota

G thread acc. to DIN EN ISO 228-1, with ISO flange plate (acc. to ISO 5211)
Otras especificaciones a petición.

Indicaciones para pedidos

For use on devices that have to be vented whenever they are turned off, either because of safety regulations or for technical reasons. The pneumatic devices are disconnected from the system and simultaneously vented each time they are shut off.

Información adicional

The pressure values refer to a maximum operating temperature of 40 °C. Lower maximum pressure apply at higher temperatures. See data sheet.

Artículo

Denominación	DN	Rosca	A (mm)	B (mm)	L (mm)
K- 07 30 21 45	8	Rp/Rp 1/4	85,0	42,0	49,0
K- 07 30 21 46	10	Rp/Rp 3/8	85,0	42,0	50,0
K- 07 30 21 47	15	Rp/Rp 1/2	85,0	46,0	61,0
K- 07 30 21 48	20	Rp/Rp 3/4	105,0	53,0	70,0
K- 07 30 21 49	25	Rp/Rp 1	105,0	57,0	84,0
K- 07 30 21 50	32	Rp/Rp 1 1/4	130,0	70,0	97,0
K- 07 30 21 51	40	Rp/Rp 1 1/2	130,0	76,0	108,0
K- 07 30 21 52	50	Rp/Rp 2	165,0	92,0	130,0