

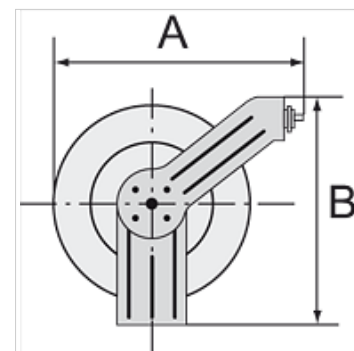
K-SCHL-AUFROLLER SCHWEISS

Hose reel, welding type

HANSA FLEX

Características

Mangueras	Welding hose for oxygen and acetylene, red and blue, made from synthetic rubber.
Presión de servicio	máx. 10 bar
Fijación	Wall, floor or ceiling
Entrada	Oxygen G 1/4 male, right-hand thread with 60° inside cone, Acetylene G 3/8 male, left-hand thread with 60° inside cone



Nota

Otras especificaciones a petición.

Descripción

Heavy-duty steel design for industrial applications. Blue, powder-coated housing. Special reel guide prevents excessive wear on the hose. An automatic latching mechanism allows the hose to be engaged at any length. Enclosed spring. Precise locking device for continuous feeding or latching mechanism.

Artículo

Denominación	Medida de mang.	Altura (mm)	Diámetro (mm)	Long. manguera (m)
K- 07 10 06 28	Oxygen: 16.5 mm x 6 mm, Acetylene: 17 mm x 10 mm	360	320	15