

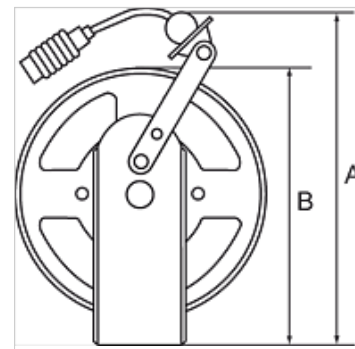
K-SCHL-AUFROLLER LU WA S

Hose reels for compressed air and water, heavy-duty type

HANSA FLEX

Características

Material del tubo flexible	Polyurethane
Presión de servicio	máx. 10 bar
Temperatura de servicio	-10 °C to +40 °C
Fijación	Wall, floor or ceiling
Entrada	Hose stem 8 mm



Nota

Otras especificaciones a petición.

Descripción

Heavy-duty steel design for industrial applications. Blue, powder-coated housing. An automatic latching mechanism allows the hose to be engaged at any length. Enclosed spring. Precise locking device for continuous feeding or latching mechanism. Reel guide prevents excessive wear on the hose.

Artículo

Denominación	Medida de mang.	A (mm)	B (mm)	Long. manguera (m)
K- 07 10 06 24	10 mm x 6,5 mm	420,0	353,0	10
K- 07 10 06 25	10 mm x 6,5 mm	420,0	353,0	20
K- 07 10 06 26	12 mm x 8 mm	420,0	353,0	15
K- 07 10 06 27	16 mm x 11 mm	420,0	353,0	15