

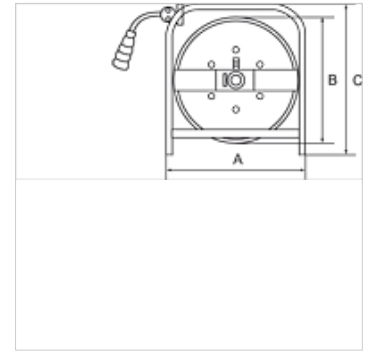
K-SCHL-AUFROLLER MOBIL

Hose reels for mobile applications

HANSA FLEX

Características

Material del tubo flexible	Polyurethane
Presión de servicio	máx. 10 bar
Temperatura de servicio	-10 °C to +40 °C
Entrada	Hose stem 8 mm
Roscas interiores	Coupling G 3/8



Nota

Otras especificaciones a petición.

Descripción

Specially designed for mobile applications. This 50 m long polyurethane hose is mounted in a portable four-wheel cart made from blue anodised steel. An automatic latching mechanism allows the hose to be engaged at any length. Enclosed spring. Precise locking device for continuous feeding or latching mechanism. Reel guide prevents excessive wear on the hose.

Artículo

Denominación	Medida de mang.	A (mm)	B (mm)	C (mm)	Long. manguera (m)
K- 07 10 06 16	12 mm x 8 mm	452,0	400,0	460,0	50