

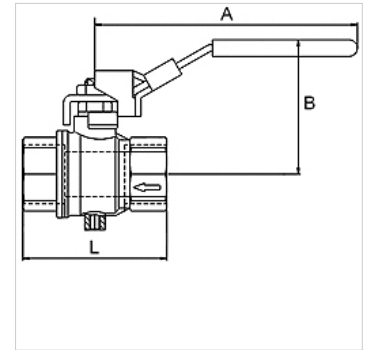
K-S-BKR M ENTL-BOHR ABSCHL

Safety ball valves, lockable, with relief port

HANSA FLEX

Características

Temperatura de servicio	-10 °C to + 100 °C (depending on operating pressure)
Orificio de ventilación	M 5 (>1": Relief port G 1/4")
Descripción de rosca	Rp thread acc. to EN 10226
Carcasa	Nickel-plated brass
Palanca manual	Steel - PVC coated
Bola	hardchrome-plated brass
Obturación esférica	PTFE
Obturación de husillo	PTFE



Nota

G thread acc. to DIN EN ISO 228-1, with ISO flange plate (acc. to ISO 5211)
Otras especificaciones a petición.

Descripción

2/2-way safety ball valves, two parts, made of nickel-plated brass. Specially designed for pneumatic applications. The valve shuts off the supply line and bleeds the application area. Lockable hand lever in closed position.

Información adicional

The price does not include a padlock. Please order separately.

Artículo

Denominación	DN	Rosca	PN (bar)	A (mm)	B (mm)	L (mm)
K- 07 30 29 29	8	Rp 1/4	14	96,0	49,0	45,0
K- 07 30 29 30	10	Rp 3/8	14	96,0	49,0	45,0
K- 07 30 29 31	15	Rp 1/2	14	96,0	51,0	59,0
K- 07 30 29 32	20	Rp 3/4	14	117,0	60,0	64,0
K- 07 30 29 33	25	Rp 1	14	117,0	64,0	81,0
K- 07 30 29 34	32	Rp 1 1/4	14	157,0	80,0	93,0
K- 07 30 29 35	40	Rp 1 1/2	14	157,0	86,0	102,0
K- 07 30 29 36	50	Rp 2	14	157,0	93,0	121,0

Accesorios

K-VORHAENGESCHLOSS Padlock