

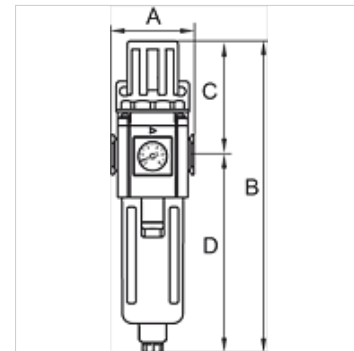
K-FI REGL METALLBEHAE V HW G

Filter regulators with metal bowl, sight glass and »HW« mounting bracket, fully-automatic drain valve

HANSA FLEX

Características

Presión de entrada	Max. 10 bar
Temper. de medios	max. 70 °C
Temp. entorno	Max. 70 °C
Ancho de poros en elemento filtrante	5 µm
Material obturador	NBR
Caperuza elást.	POM
Carcasa	Die-cast aluminium
Drain valve	Semi- or fully-automatic
Medic. valor de flujo	At P1 = 8 bar, P2 = 6 bar and pressure drop $\Delta p = 1$ bar
Otras especific.	User manual on request



Artículo

Denominación	Rosca	Rango de regulación	Flujo de paso (L/min)	A (mm)	B (mm)	C (mm)	D (mm)	Tamaño constructivo
K- 07 25 07 06	G 3/4	1.5 - 9 bar	7000	85,0	363,0 mm	144,0	219,0	600
K- 07 25 07 08	G 1	1.5 - 9 bar	7000	85,0	363,0 mm	144,0	219,0	600

Accesorios

K-VERSCHLEI-SATZ	Set of wearing parts
K-ERSATZMEMBRANE	Replacement diaphragm
K-ADAPTERPLATTEN HANSA	Adapter plate HANSA
K-ERSATZBEHAELTER G UND G-MINI POLY	Spare tanks »G« Series and »G-minik« Series Polycarbonat
K-FILTERELEMENT	Filter element
K-HALTERBAUSATZ	Holder
K-VERBINDUNGELEMENTE	Connecting sets
K-WANDHALTER	Wall bracket