

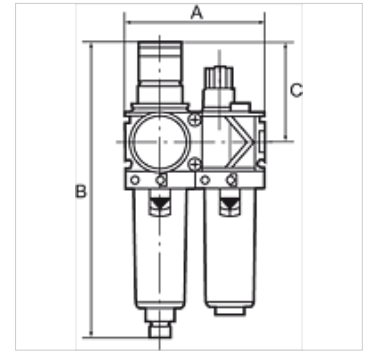
# K-WTEH 2-TLG PC SCHU VARIOBLOC

Service units, 2-piece with polycarbonate bowl and bowl guard

**HANSA FLEX**

## Características

<b>Presión de entrada</b>	Max. 16 bar (polycarbonate bowl), Max. 20 bar (metal bowl)
<b>Temper. de medios</b>	max. 50 °C
<b>Temp. entorno</b>	Max. 50 °C (polycarbonate bowl), Max. 80 °C (metal bowl)
<b>Ancho de poros en elemento filtrante</b>	40 µm
<b>Material obturador</b>	NBR
<b>Caperuza elást.</b>	POM
<b>Carcasa</b>	Die-cast zinc
<b>Membrana</b>	NBR
<b>Suplem. de goteo</b>	PA
<b>Drain valve</b>	Manual
<b>Medic. valor de flujo</b>	At P1 = 10 bar, P2 = 6 bar and pressure drop $\Delta p = 1$ bar



## Nota

Otras especificaciones a petición.

## Descripción

Two or three-piece service units consisting of a reversible diaphragm pressure regulator, independent of inlet pressure, with self-relieving design, combined with a centrifugal separator and a proportional lubricator. Approved series in modern industrial design, with the following key benefits: Simple handling, Convenient modular assembly thanks to innovative fasteners, Excellent flow values.

## Indicaciones para pedidos

Service units are also available with bowl guard or metal bowl. Service units are also available in other control ranges (0.5 - 6 bar and 0.5 - 16 bar) and in lockable version. Please ask for more information.

## Información adicional

Service units are also available with bowl guard or metal bowl. Service units are also available in other control ranges.

## Artículo

Denominación	Rosca	Rango de regulación	Flujo de paso (L/min)	A (mm)	B	C (mm)
<b>K- 07 25 22 81</b>	G 1/4	0.5 - 10 bar	1500	96,0	203,0 mm	68,0
<b>K- 07 25 22 80</b>	G 3/8	0.5 - 10 bar	1800	96,0	203,0 mm	68,0
<b>K- 07 25 22 79</b>	G 1/2	0.5 - 10 bar	3400	140,0	273,0 mm	98,0
<b>K- 07 25 22 78</b>	G 3/4	0.5 - 10 bar	5000	140,0	273,0 mm	98,0
<b>K- 07 25 22 77</b>	G 1	0.5 - 10 bar	5000	194,0	273,0 mm	98,0