

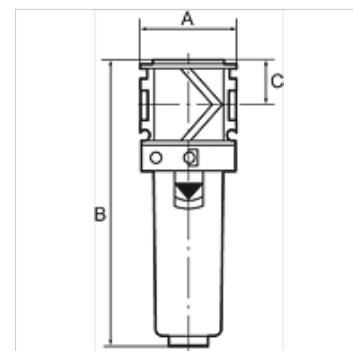
K-FI AK KOH PC-BEHAEL VARIOBLOC

Activated carbon filters with polycarbonate bowl

HANSA FLEX

Características

| | |
|-------------------------------------|--|
| Presión de entrada | Max. 16 bar (polycarbonate bowl), Max. 20 bar (metal bowl) |
| Temper. de medios | max. 50 °C |
| Temp. entorno | Max. 50 °C (polycarbonate bowl), Max. 80 °C (metal bowl) |
| Calidad de aire ISO 85731 | Class 1 dirt, class 1 oil |
| Contenido de aceite residual | 0,003 mg/m ³ |
| Medic. valor de flujo | At P1 = 7 bar and pressure drop $\Delta p = 0,1$ bar |



Nota

Activated carbon filters are also supplied with protective cage or metal container.

Otras especificaciones a petición.

Descripción

The activated carbon filter absorbs oil vapour from the compressed air. The entering compressed air needs to be dry and free of contaminants (an upstream microfilter is strongly recommended).

Artículo

| Denominación | Rosca | Flujo de paso (L/min) | A (mm) | B | C (mm) |
|----------------|-------|--------------------------|-----------|----------|-----------|
| K- 07 25 19 59 | G 1/4 | 800 | 48,0 | 142,0 mm | 22,0 |
| K- 07 25 19 60 | G 3/8 | 1000 | 48,0 | 142,0 mm | 22,0 |
| K- 07 25 19 61 | G 1/2 | 1200 | 70,0 | 193,0 mm | 26,0 |
| K- 07 25 19 62 | G 3/4 | 1300 | 70,0 | 193,0 mm | 26,0 |
| K- 07 25 19 63 | G 1 | 1300 | 124,0 | 193,0 mm | 26,0 |