

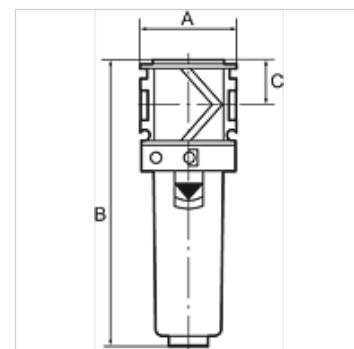
# K-FI AK KOH PC-BEHAEL SI VARIOBLOC

Activated carbon filters with polycarbonate bowl and bowl guard

**HANSA FLEX**

## Características

<b>Presión de entrada</b>	Max. 16 bar (polycarbonate bowl), Max. 20 bar (metal bowl)
<b>Temper. de medios</b>	max. 50 °C
<b>Temp. entorno</b>	Max. 50 °C (polycarbonate bowl), Max. 80 °C (metal bowl)
<b>Calidad de aire ISO 85731</b>	Class 1 dirt, class 1 oil
<b>Contenido de aceite residual</b>	0,003 mg/m <sup>3</sup>
<b>Medic. valor de flujo</b>	At P1 = 7 bar and pressure drop $\Delta p = 0,1$ bar



## Nota

Activated carbon filters are also supplied with protective cage or metal container.

Otras especificaciones a petición.

## Descripción

The activated carbon filter absorbs oil vapour from the compressed air. The entering compressed air needs to be dry and free of contaminants (an upstream microfilter is strongly recommended).

## Artículo

Denominación	Rosca	Flujo de paso (L/min)	A (mm)	B	C (mm)
K- 07 25 23 12	G 1/4	800	48,0	142,0 mm	22,0
K- 07 25 23 13	G 3/8	1000	48,0	142,0 mm	22,0
K- 07 25 23 14	G 1/2	1200	70,0	193,0 mm	26,0
K- 07 25 23 15	G 3/4	1300	70,0	193,0 mm	26,0
K- 07 25 23 16	G 1	1300	124,0	193,0 mm	26,0