

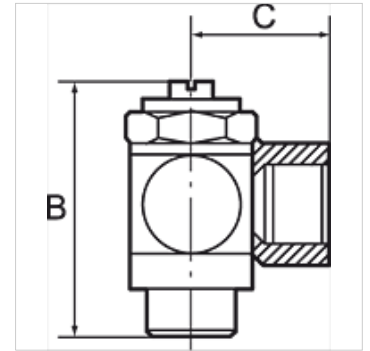
K-DRV GEW V SCHLITZ

Unidirectional flow control valves, incoming air restriction (»V«), screw connection

HANSA FLEX

Características

Presión de servicio	máx. 10 bar
Rango de temperatura	0 °C to +70 °C
Tomillo hueco, brazo gir., torn. regulador	Nickel-plated brass
Piezas int.	Brass with a bare metal surface
Junta labial anillo tórico	NBR
Juntas (imperdibles)	Polyamide (glass fibre-reinforced)



Nota

Otras especificaciones a petición.

Descripción

For fine regulation of a cylinder piston speed in the forward and return motion and precise control of flow rates. Designed as a banjo-type valve with a hollow bolt and ring piece. Can be screwed directly onto the valve or cylinder to restrict the incoming air. Compact type of construction, also ideal where space is restricted.

Artículo

Denominación	Conexión	C (mm)	Rosca	SW	B (mm)
K- 07 15 25 21	M 5 female thread	11,5	M 5	8 mm	24,5
K- 07 15 05 70	G 1/8 female thread	16,0	G 1/8	14 mm	32,0
K- 07 15 05 66	G 1/4 female thread	22,0	G 1/4	17 mm	40,0
K- 07 15 25 22	G 3/8 female thread	26,0	G 3/8	20 mm	50,0