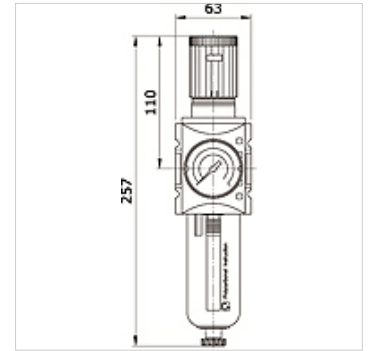


K-FI REG MANO HANSA PRO

Filter regulator, HANSA PRO2 with manual/semi-automatic condensate drain and pressure gauge, HANSA PRO

HANSA FLEX

Características	
Temper. de medios	-10 °C to +50 °C
Temp. entorno	-10 °C to +50 °C
Medios	aire comprimido
Construcción	Diaphragm pressure regulator with relieving, centrifugal filter
Tipo de fijación	Line mounting, panel mounting, mounting kit or wall mounting
Accionamiento/seguro	lockable handwheel
Posición de instalación	Vertical, drain down
Finura del filtro	5,00 µm
Conexión de manómetro	G 1/4 i
Cantidad máx. de condensado	49 cc
Flujo nominal G 1/2	5.200 l/min (P1 = 10 bar, P2 = 6,3 bar/Delta P = 1 bar)
Flujo nominal G 3/8	4.300 l/min (P1 = 10 bar, P2 = 6,3 bar/Delta P = 1 bar)
PE máx 4	Pa 0,5 - 8 bar (Standard) Pa 0,1 - 1 bar Pa 0,1 - 2 bar Pa 0,2 - 4 bar Pa 0,5 - 10 bar Pa 0,5 - 16 bar
PE máx 6	16 bar
Elem.filtro	Cellpor
Carcasa	PA66
Membrana, juntas	Ms/NBR/PA6



Artículo

Denominación	Conexión	Rango de regulación	Rangos de indicación	Depósito	Tamaño constructivo	Salida de condensado
K- 07 25 21 60	G 3/8 i	0.1 - 1 bar	0 - 1,6 bar	polycarbonate with protective cage	2	manual / semi-automatic
K- 07 25 21 61	G 3/8 i	0.1 - 2 bar	0 - 2,5 bar	polycarbonate with protective cage	2	manual / semi-automatic
K- 07 25 21 62	G 3/8 i	0.2 - 4 bar	0 - 6 bar	polycarbonate with protective cage	2	manual / semi-automatic
K- 07 25 21 63	G 3/8 i	0.5 - 8 bar	0 - 10 bar	polycarbonate with protective cage	2	manual / semi-automatic
K- 07 25 21 64	G 3/8 i	0.5 - 10 bar	0 - 16 bar	polycarbonate with protective cage	2	manual / semi-automatic
K- 07 25 21 65	G 3/8 i	0.5 - 16 bar	0 - 25 bar	polycarbonate with protective cage	2	manual / semi-automatic
K- 07 25 21 66	G 1/2 i	0.1 - 1 bar	0 - 1,6 bar	polycarbonate with protective cage	2	manual / semi-automatic
K- 07 25 21 67	G 1/2 i	0.1 - 2 bar	0 - 2,5 bar	polycarbonate with protective cage	2	manual / semi-automatic
K- 07 25 21 68	G 1/2 i	0.2 - 4 bar	0 - 6 bar	polycarbonate with protective cage	2	manual / semi-automatic
K- 07 25 21 69	G 1/2 i	0.5 - 8 bar	0 - 10 bar	polycarbonate with protective cage	2	manual / semi-automatic
K- 07 25 21 70	G 1/2 i	0.5 - 10 bar	0 - 16 bar	polycarbonate with protective cage	2	manual / semi-automatic
K- 07 25 21 71	G 1/2 i	0.5 - 16 bar	0 - 25 bar	polycarbonate with protective cage	2	manual / semi-automatic
K- 07 25 21 72	G 3/8 i	0.1 - 1 bar	0 - 1,6 bar	zinc with visual display	2	manual / semi-automatic
K- 07 25 21 73	G 3/8 i	0.1 - 2 bar	0 - 2,5 bar	zinc with visual display	2	manual / semi-automatic
K- 07 25 21 74	G 3/8 i	0.2 - 4 bar	0 - 6 bar	zinc with visual display	2	manual / semi-automatic
K- 07 25 21 75	G 3/8 i	0.5 - 8 bar	0 - 10 bar	zinc with visual display	2	manual / semi-automatic
K- 07 25 21 76	G 3/8 i	0.5 - 10 bar	0 - 16 bar	zinc with visual display	2	manual / semi-automatic
K- 07 25 21 77	G 3/8 i	0.5 - 16 bar	0 - 25 bar	zinc with visual display	2	manual / semi-automatic
K- 07 25 21 78	G 1/2 i	0.1 - 1 bar	0 - 1,6 bar	zinc with visual display	2	manual / semi-automatic
K- 07 25 21 79	G 1/2 i	0.1 - 2 bar	0 - 2,5 bar	zinc with visual display	2	manual / semi-automatic
K- 07 25 21 80	G 1/2 i	0.2 - 4 bar	0 - 6 bar	zinc with visual display	2	manual / semi-automatic
K- 07 25 21 81	G 1/2 i	0.5 - 8 bar	0 - 10 bar	zinc with visual display	2	manual / semi-automatic
K- 07 25 21 82	G 1/2 i	0.5 - 10 bar	0 - 16 bar	zinc with visual display	2	manual / semi-automatic
K- 07 25 21 83	G 1/2 i	0.5 - 16 bar	0 - 25 bar	zinc with visual display	2	manual / semi-automatic