

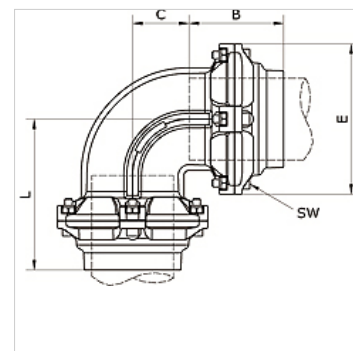
# K-W90 STECK VB 80-100 INFI

90°-elbow push-in connector Ø 80 mm/Ø 110 mm

**HANSA FLEX**

## Características

|                              |                                     |
|------------------------------|-------------------------------------|
| <b>Medios</b>                | Compressed air, vacuum, inert gases |
| <b>Presión de servicio</b>   | -0,99 bar - 15 bar                  |
| <b>Rango de temperatura</b>  | -20 °C to +80 °C                    |
| <b>Anillo guía</b>           | Technopolymer                       |
| <b>Carcasa</b>               | Aluminium, treated surface          |
| <b>Anillo de apriete</b>     | Stainless steel 1.4301              |
| <b>Tuerca</b>                | Aluminium, surface treated          |
| <b>Junta tórica</b>          | NBR                                 |
| <b>Tuerca autobloqueante</b> | Galvanised steel                    |
| <b>Anillos de fijación</b>   | Technopolymer                       |



## Artículo

| Denominación   | Ø exterior tubo | B (mm) | C (mm) | E (mm) | L (mm) | SW (mm) |
|----------------|-----------------|--------|--------|--------|--------|---------|
| K- 07 40 55 15 | 80 - 80 mm      | 91,0   | 54,5   | 145,0  | 146,0  | 6       |
| K- 07 40 54 66 | 110 - 110 mm    | 125,5  | 75,0   | 200,0  | 200,5  | 8       |