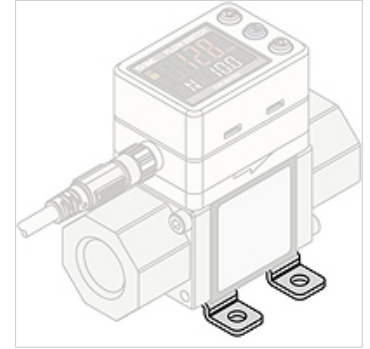


K-BEFESTIGUNGSELEMENTE PF3W

mounting element PF3W

Características

Serie	PF3W
Otras especific.	Accessories for Digital Flow Switch PF3W



Descripción

Mount, for PF3W704/720, including 4 self-tapping screws (3 x 8)

Artículo

Denominación	Versión	Definición
K- 07 60 00 26	including 4-tapping screws (3 x 8)	Mounting element for PF3W704/720
K- 07 60 00 27	including 4-tapping screws (3 x 8)	Mounting element for PF3W740
K- 07 60 00 28	including 4-tapping screws (4 x 10)	Mounting element for PF3W711