

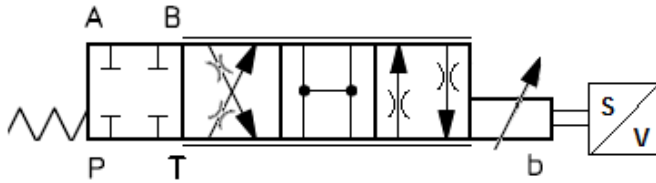
HK DLKZOR TE

Proportional Magnetwegeventil NG10

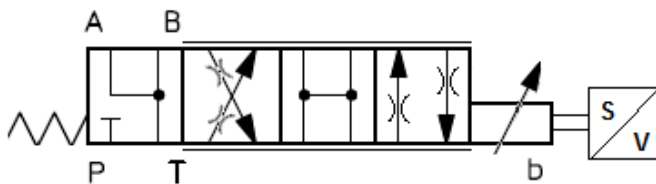
Proportional solenoid-operated directional control valve size 10

HANSA FLEX

Schaltensymbole, Ausführungen / Symbols, Design



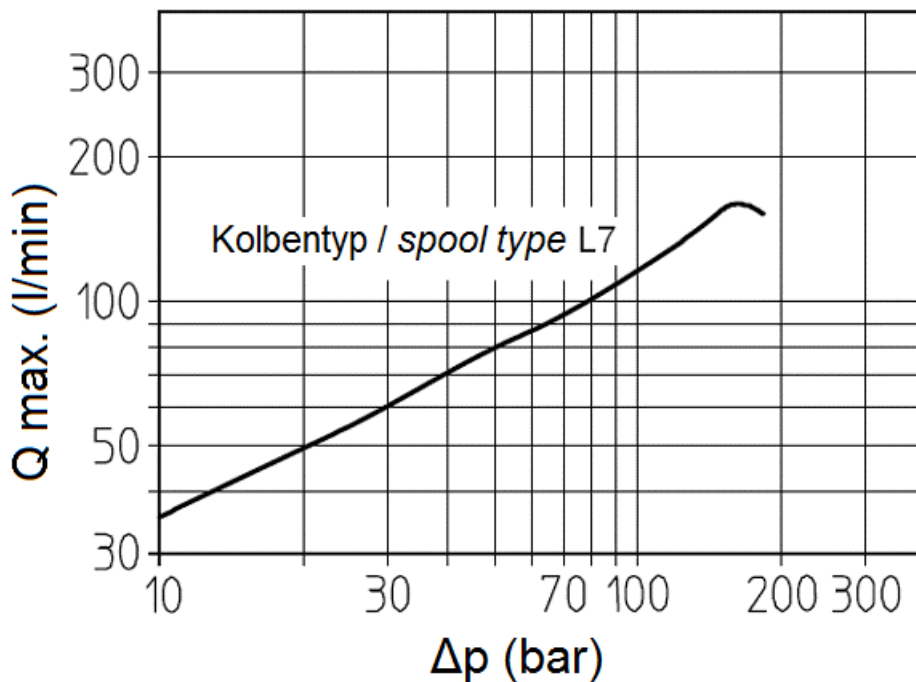
HK DLKZOR TE 140 L71



HK DLKZOR TE 140 L73

Q/Δp – Kennlinien , Regelkennlinien / Q/Δp – diagram, regulation diagram

Q / Δp Kennlinie HK DLKZOR TE Q / Δp diagram HK DLKZOR TE



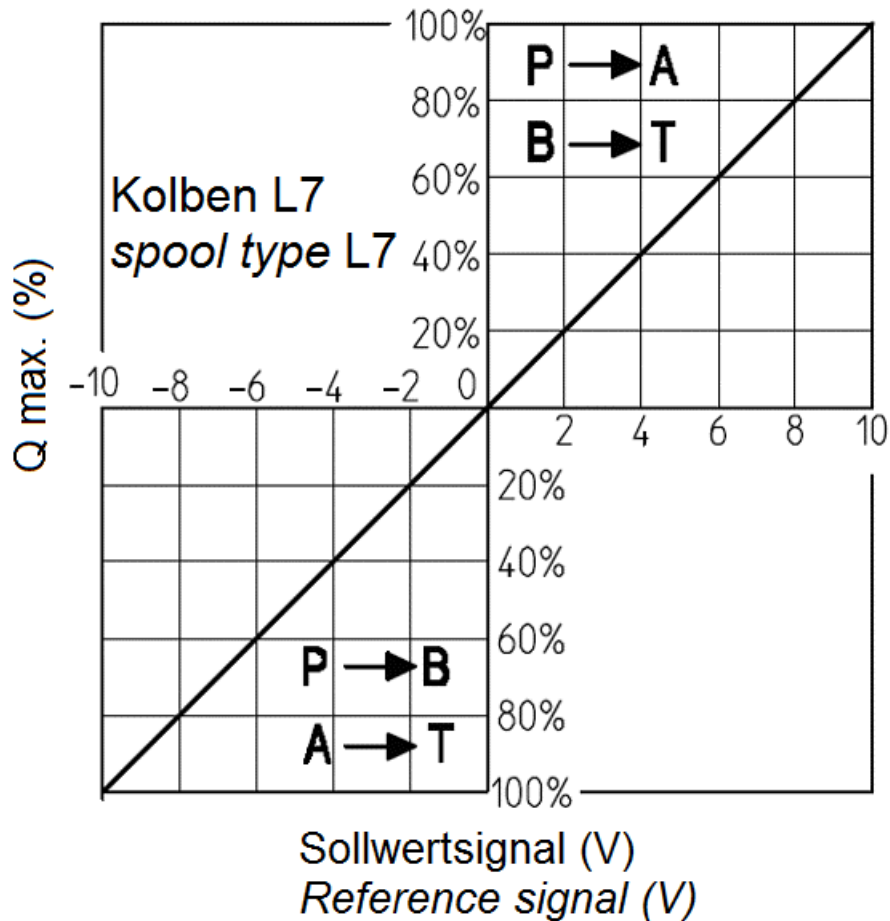
HK DLKZOR TE

Proportional Magnetweventil NG10

Proportional solenoid-operated directional control valve size 10



Regelkennlinie HK DLKZOR TE Regulation diagram HK DLKZOR TE



HK DLKZOR TE

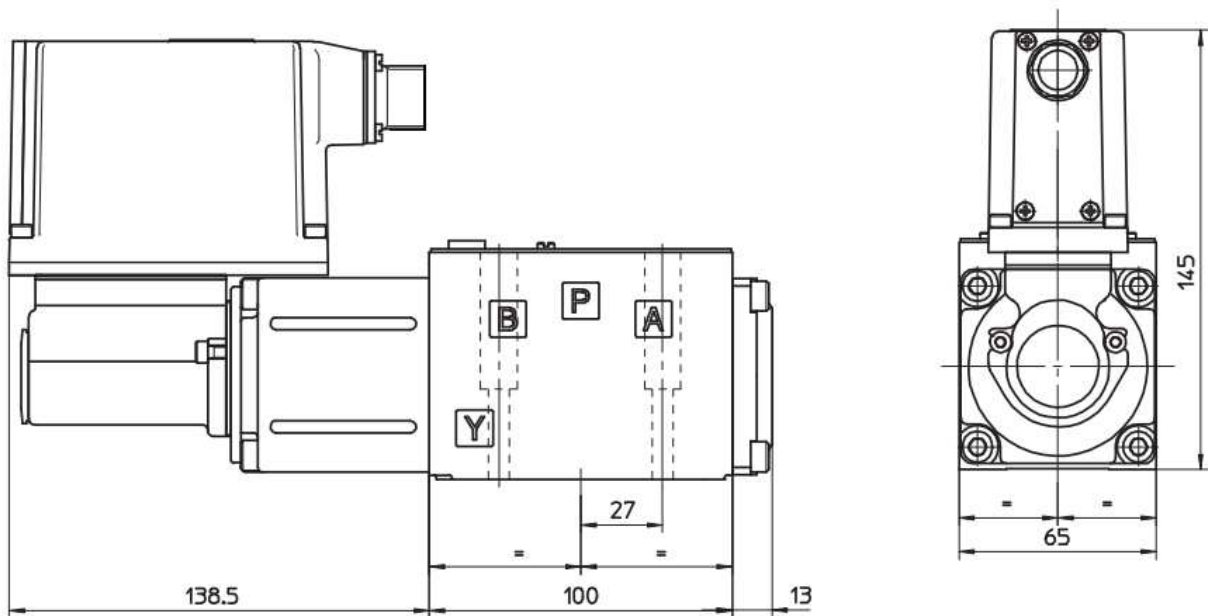
Proportional Magnetwegeventil NG10

Proportional solenoid-operated directional control valve size 10

HANSA FLEX

Abmessungen / Dimensions

HK DLKZOR TE



Schraubensatz: 4 Inbusschrauben M6x40 12.9

Screw set: 4 socket head screws M6x40 12.9