

Omadused

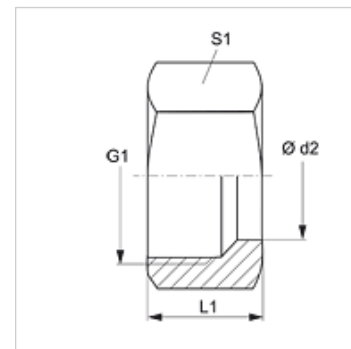
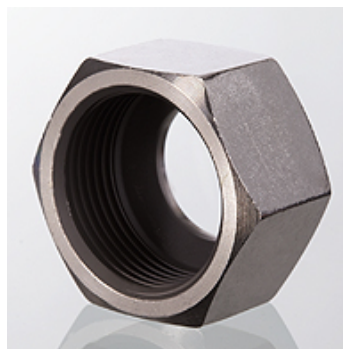
Ühendus 1 Meetriline mutrikeere

Tüüp Torumutter

Tavaline DIN 3870

Materjal Teras

Pinnatöötlus galvaniseeritud



Artikkel

| Märgistus | Ehitusseeria | Ø d2 (mm) | G1 | L1 (mm) | S1 |
|----------------|--------------|--------------|------------|------------|----|
| UEM 04 LL | LL | 4,0 | M 8 x 1 | 11,5 | 10 |
| UEM 05 LL | LL | 5,0 | M 10 x 1 | 12,0 | 12 |
| UEM 06 LL | LL | 6,0 | M 10 x 1 | 12,0 | 12 |
| UEM 08 LL | LL | 8,0 | M 12 x 1 | 12,5 | 14 |
| UEM 10 LL | LL | 10,0 | M 14 x 1 | 13,5 | 17 |
| UEM 12 LL | LL | 12,0 | M 16 x 1 | 13,5 | 19 |
| UEM 16 LL | LL | 16,0 | M 22 x 1,5 | 17,5 | 27 |
| UEM NW 04 L | L | 6,0 | M 12 x 1,5 | 15,0 | 14 |
| UEM NW 06 L | L | 8,0 | M 14 x 1,5 | 15,0 | 17 |
| UEM NW 08 L | L | 10,0 | M 16 x 1,5 | 16,0 | 19 |
| UEM NW 10 L | L | 12,0 | M 18 x 1,5 | 16,0 | 22 |
| UEM NW 13 L | L | 15,0 | M 22 x 1,5 | 17,5 | 27 |
| UEM NW 16 L | L | 18,0 | M 26 x 1,5 | 18,5 | 32 |
| UEM NW 16 L 27 | L | 18,0 | M 27 x 2 | 18,0 | 32 |
| UEM NW 20 L | L | 22,0 | M 30 x 2 | 20,5 | 36 |
| UEM NW 25 L | L | 28,0 | M 36 x 2 | 21,5 | 41 |
| UEM NW 32 L | L | 35,0 | M 45 x 2 | 24,5 | 50 |
| UEM NW 40 L | L | 42,0 | M 52 x 2 | 24,5 | 60 |
| UEM NW 03 S | S | 6,0 | M 14 x 1,5 | 17,0 | 17 |
| UEM NW 04 S | S | 8,0 | M 16 x 1,5 | 17,0 | 19 |
| UEM NW 06 S | S | 10,0 | M 18 x 1,5 | 18,0 | 22 |
| UEM NW 08 S | S | 12,0 | M 20 x 1,5 | 18,0 | 24 |
| UEM NW 10 S | S | 14,0 | M 22 x 1,5 | 21,0 | 27 |
| UEM NW 13 S | S | 16,0 | M 24 x 1,5 | 21,0 | 30 |
| UEM NW 16 S | S | 20,0 | M 30 x 2 | 24,5 | 36 |
| UEM NW 20 S | S | 25,0 | M 36 x 2 | 27,5 | 46 |
| UEM NW 25 S | S | 30,0 | M 42 x 2 | 29,5 | 50 |
| UEM NW 32 S | S | 38,0 | M 52 x 2 | 33,0 | 60 |

Ehitusseeria: LL = väga kerge L = kerge S = raske – PN = nimirõhk PB = maks. töörihk – Ø d2 = toru välisläbimõõt

Toote variandid

UEM VA Mutter, VA, Roostevaba teras

UEM MG Torumutter MG, Messing