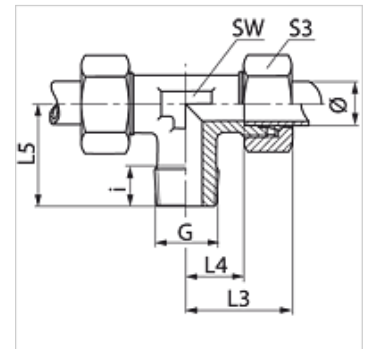


Omadused

| | |
|--------------------------|------------------------------------|
| Ühendus 1 | BSPT-väliskeere, kooniline |
| Tihenditüüp 1 | Keermestihend |
| Ühendus 2 + 3 | M-keere välis, silindriline |
| Tihenditüüp 2 + 3 | 24° sisekoonus |
| Tüüp | Sissekeeratav liitmik . |
| Ehitustüüp | T-kujuline |
| Tavaline | DIN 2353 ISO 8434-1 |
| Komplektis | Torumutri ja lõikurrõngaga liitmik |
| Materjal | Teras |
| Pinnatöötlus | galvaniseeritud |



Vihje

Viiteid monteerimise, paigaldamise, survetugevuse ja lubatud töötemperatuuride kohta leiate toruühenduste tehnilisest juhendist.

Artikkel

| Märgistus | Ehitusseeria | Töörõhk bar | Toru välimine Ø (mm) | G | i (mm) | L3 (mm) | L4 (mm) | L5 (mm) | SW (mm) | S3 |
|-------------|--------------|-------------|----------------------|----------|--------|---------|---------|---------|---------|----|
| TR 04 LL | LL | PN 100 | 4 | R 1/8" K | 8 | 21 | 11,0 | 17 | 9 | 10 |
| TR 05 LL | LL | PN 100 | 5 | R 1/8" K | 8 | 21 | 9,5 | 17 | 11 | 12 |
| TR 06 LL | LL | PN 100 | 6 | R 1/8" K | 8 | 21 | 9,5 | 17 | 9 | 12 |
| TR 08 LL | LL | PN 100 | 8 | R 1/8" K | 8 | 23 | 11,5 | 20 | 12 | 14 |
| TR 10 LL | LL | PN 100 | 10 | R 1/4" K | 12 | 24 | 12,5 | 11 | 14 | 17 |
| TR 12 LL | LL | PN 100 | 12 | R 1/4" K | 12 | 25 | 13,0 | 11 | 17 | 19 |
| TR NW 04 HL | L | PN 315 | 6 | R 1/8" K | 8 | 27 | 12,0 | 20 | 12 | 14 |
| TR NW 06 HL | L | PN 315 | 8 | R 1/4" K | 12 | 29 | 14,0 | 26 | 12 | 17 |
| TR NW 08 HL | L | PN 315 | 10 | R 1/4" K | 12 | 30 | 15,0 | 27 | 14 | 19 |
| TR NW 10 HL | L | PN 315 | 12 | R 3/8" K | 12 | 32 | 17,0 | 28 | 17 | 22 |
| TR NW 13 HL | L | PN 315 | 15 | R 1/2" K | 14 | 36 | 21,0 | 34 | 19 | 27 |
| TR NW 16 HL | L | PN 315 | 18 | R 1/2" K | 14 | 40 | 23,5 | 36 | 24 | 32 |
| TR NW 03 HS | S | PN 400 | 6 | R 1/4" K | 12 | 31 | 16,0 | 26 | 12 | 17 |
| TR NW 04 HS | S | PN 400 | 8 | R 1/4" K | 12 | 32 | 17,0 | 27 | 14 | 19 |
| TR NW 06 HS | S | PN 400 | 10 | R 3/8" K | 12 | 34 | 17,5 | 28 | 17 | 22 |
| TR NW 08 HS | S | PN 400 | 12 | R 3/8" K | 12 | 38 | 21,5 | 28 | 17 | 24 |
| TR NW 10 HS | S | PN 400 | 14 | R 1/2" K | 14 | 40 | 22,0 | 32 | 19 | 27 |
| TR NW 13 HS | S | PN 400 | 16 | R 1/2" K | 14 | 43 | 24,5 | 32 | 24 | 30 |

Ø = toru välisläbimõõt – Ehitusseeria: LL = väga kerge L = kerge S = raske – PN = nimirõhk PB = maks. töörõhk

Toote variandid

| | |
|---------------|---|
| TRK MG | Sissekeeratav ühendus, T-kujuline, Messing |
| TRK VA | Sissekeeratav ühendus, T-kujuline, Roostevaba teras |
| XTRK | Sissekeeratav liitmik, T-kujuline, Teras |