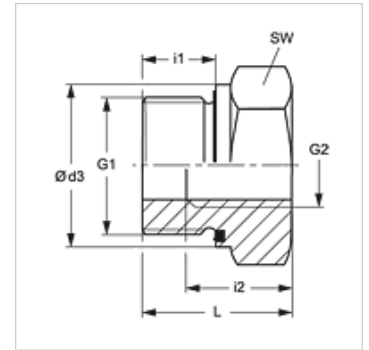


Omadused

| | |
|---------------|------------------------------|
| Ühendus 1 | BSP-väliskeere, silindriline |
| Tihenditüüp 1 | E-vorm |
| Ühendus 2 | BSP-sisekeere, silindriline |
| Tüüp | Üleminek |
| Ehitustüüp | lühike |
| Materjal | Roostevaba teras |



Vihje

Viiteid monteerimise, paigaldamise, survetugevuse ja lubatud töötemperatuuride kohta leiata toruühenduste tehnilisest juhendist.

Tellimisinfo

NBR tihendid
FPM (Viton) nõudmisel

Artikkel

| Märgistus | Töörõhk bar | G1 | G2 | Ø d3 (mm) | i1 (mm) | i2 (mm) | L (mm) | SW (mm) |
|--------------------|-------------|--------------|--------------|-----------|---------|---------|--------|---------|
| RIK NW 10 03 ED VA | PN 400 | G 3/8" -19 | G 1/8" -28 | 21,9 | 12 | 9 | 22,5 | 22 |
| RIK NW 13 03 ED VA | PN 400 | G 1/2" -14 | G 1/8" -28 | 26,9 | 14 | 9 | 24,0 | 27 |
| RIK NW 13 06 ED VA | PN 400 | G 1/2" -14 | G 1/4" -19 | 26,9 | 14 | 14 | 24,0 | 27 |
| RIK NW 20 03 ED VA | PN 315 | G 3/4" -14 | G 1/8" -28 | 31,9 | 16 | 9 | 26,0 | 32 |
| RIK NW 20 06 ED VA | PN 315 | G 3/4" -14 | G 1/4" -19 | 31,9 | 16 | 14 | 26,0 | 32 |
| RIK NW 20 10 ED VA | PN 315 | G 3/4" -14 | G 3/8" -19 | 31,9 | 16 | 14 | 26,0 | 32 |
| RIK NW 25 06 ED VA | PN 315 | G 1" -11 | G 1/4" -19 | 39,9 | 18 | 14 | 29,0 | 41 |
| RIK NW 25 10 ED VA | PN 315 | G 1" -11 | G 3/8" -19 | 39,9 | 18 | 14 | 29,0 | 41 |
| RIK NW 25 13 ED VA | PN 315 | G 1" -11 | G 1/2" -14 | 39,9 | 18 | 16 | 29,0 | 41 |
| RIK NW 32 13 ED VA | PN 315 | G 1.1/4" -11 | G 1/2" -14 | 49,9 | 20 | 16 | 32,0 | 50 |
| RIK NW 32 20 ED VA | PN 315 | G 1.1/4" -11 | G 3/4" -14 | 49,9 | 20 | 18 | 32,0 | 50 |
| RIK NW 40 13 ED VA | PN 250 | G 1.1/2" -11 | G 1/2" -14 | 54,9 | 22 | 16 | 36,0 | 55 |
| RIK NW 40 20 ED VA | PN 250 | G 1.1/2" -11 | G 3/4" -14 | 54,9 | 22 | 18 | 36,0 | 55 |
| RIK NW 40 25 ED VA | PN 250 | G 1.1/2" -11 | G 1" -11 | 54,9 | 22 | 20 | 36,0 | 55 |
| RIK NW 50 40 ED VA | PN 160 | G 2" -11 | G 1.1/2" -11 | 69,9 | 24 | 24 | 40,0 | 70 |

PN = nimirõhk PB = maks. töörõhk

Toote variandid

RIK ED Üleminek, lühike, Teras

Varuosad

WD V Pehme tihend JIC