

### Omadused

**Ühendus 1** BSP-väliskeere, silindriline

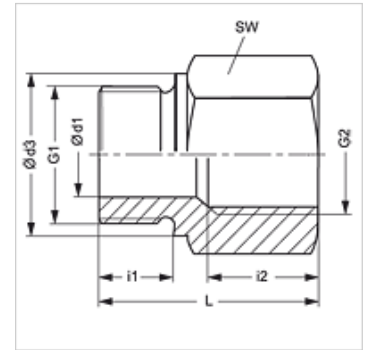
**Tihenditüüp 1** B-vorm

**Ühendus 2** BSP-sisekeere, silindriline

**Tüüp** Üleminek

**Ehitustüüp** Pikk

**Materjal** Messing



### Vihje

Viiteid monteerimise, paigaldamise, survetugevuse ja lubatud töötemperatuuride kohta leiata toruühenduste tehnilisest juhendist.

### Artikkel

| Märgistus       | Töörõhk bar | Ø d1 (mm) | G1           | G2           | Ø d3 (mm) | i1 (mm) | i2 (mm) | L (mm) | SW (mm) |
|-----------------|-------------|-----------|--------------|--------------|-----------|---------|---------|--------|---------|
| RIL NW 03 06 MG | PN 250      | 4         | G 1/8" -28   | G 1/4" -19   | 14        | 8       | 17,0    | 31     | 19      |
| RIL NW 03 10 MG | PN 250      | 4         | G 1/8" -28   | G 3/8" -19   | 14        | 8       | 17,0    | 32     | 24      |
| RIL NW 06 03 MG | PN 250      | 5         | G 1/4" -19   | G 1/8" -28   | 18        | 12      | 12,0    | 28     | 19      |
| RIL NW 06 10 MG | PN 250      | 5         | G 1/4" -19   | G 3/8" -19   | 18        | 12      | 17,0    | 36     | 24      |
| RIL NW 06 13 MG | PN 250      | 5         | G 1/4" -19   | G 1/2" -14   | 18        | 12      | 20,0    | 40     | 27      |
| RIL NW 06 20 MG | PN 200      | 5         | G 1/4" -19   | G 3/4" -14   | 18        | 12      | 22,0    | 43     | 36      |
| RIL NW 10 06 MG | PN 250      | 8         | G 3/8" -19   | G 1/4" -19   | 22        | 12      | 17,0    | 36     | 22      |
| RIL NW 10 13 MG | PN 250      | 8         | G 3/8" -19   | G 1/2" -14   | 22        | 12      | 20,0    | 41     | 27      |
| RIL NW 10 20 MG | PN 200      | 8         | G 3/8" -19   | G 3/4" -14   | 22        | 12      | 22,0    | 44     | 36      |
| RIL NW 13 10 MG | PN 200      | 12        | G 1/2" -14   | G 3/8" -19   | 26        | 14      | 17,0    | 36     | 27      |
| RIL NW 13 20 MG | PN 200      | 12        | G 1/2" -14   | G 3/4" -14   | 26        | 14      | 22,0    | 46     | 36      |
| RIL NW 13 25 MG | PN 200      | 12        | G 1/2" -14   | G 1" -11     | 26        | 14      | 24,5    | 49     | 41      |
| RIL NW 20 13 MG | PN 200      | 16        | G 3/4" -14   | G 1/2" -14   | 32        | 16      | 20,0    | 41     | 32      |
| RIL NW 20 25 MG | PN 200      | 16        | G 3/4" -14   | G 1" -11     | 32        | 16      | 24,5    | 51     | 41      |
| RIL NW 25 20 MG | PN 200      | 20        | G 1" -11     | G 3/4" -14   | 39        | 18      | 22,0    | 47     | 41      |
| RIL NW 25 32 MG | PN 100      | 20        | G 1" -11     | G 1.1/4" -11 | 39        | 18      | 26,5    | 57     | 55      |
| RIL NW 25 40 MG | PN 100      | 20        | G 1" -11     | G 1.1/2" -11 | 39        | 18      | 28,5    | 59     | 60      |
| RIL NW 32 25 MG | PN 100      | 25        | G 1.1/4" -11 | G 1" -11     | 49        | 20      | 24,5    | 50     | 60      |
| RIL NW 32 40 MG | PN 100      | 25        | G 1.1/4" -11 | G 1.1/2" -11 | 49        | 20      | 28,5    | 60     | 60      |
| RIL NW 40 32 MG | PN 100      | 32        | G 1.1/2" -11 | G 1.1/4" -11 | 55        | 22      | 26,5    | 58     | 55      |

PN = nimirõhk PB = maks. töörõhk

### Toote variandid

RIL Vahelduv kahanemine, pikk, Teras

RIL VA Vahelduv kahanemine, pikk, Roostevaba teras