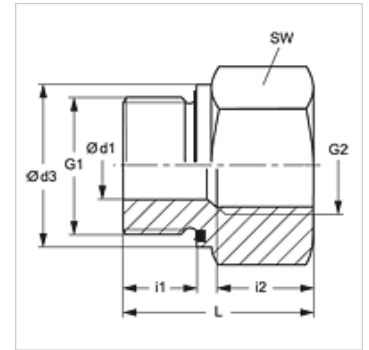


Omadused

Ühendus 1	BSP-väliskeere, silindriline
Tihenditüüp 1	E-vorm
Ühendus 2	BSP-sisekeere, silindriline
Tüüp	Üleminek
Ehitustüüp	Pikk
Materjal	Roostevaba teras



Vihje

Viiteid monteerimise, paigaldamise, survetugevuse ja lubatud töötemperatuuride kohta leiate toruühenduste tehnilisest juhendist.

Tellimisinfo

NBR tihendid
FPM (Viton) nõudmisel

Artikkel

Märgistus	Töörõhk bar	Ø d1 (mm)	G1	G2	Ø d3 (mm)	i1 (mm)	i2 (mm)	L (mm)	SW (mm)
RIL NW 03 06 ED VA	PN 400	4	G 1/8" -28	G 1/4" -19	14,0	8	17,0	31	19
RIL NW 03 10 ED VA	PN 400	4	G 1/8" -28	G 3/8" -19	14,0	8	17,0	32	24
RIL NW 06 03 ED VA	PN 400	5	G 1/4" -19	G 1/8" -28	18,7	12	12,0	28	19
RIL NW 06 10 ED VA	PN 400	5	G 1/4" -19	G 3/8" -19	18,7	12	17,0	36	24
RIL NW 06 13 ED VA	PN 400	5	G 1/4" -19	G 1/2" -14	18,7	12	20,0	40	27
RIL NW 06 20 ED VA	PN 400	5	G 1/4" -19	G 3/4" -14	18,7	12	22,0	43	36
RIL NW 10 06 ED VA	PN 400	8	G 3/8" -19	G 1/4" -19	22,0	12	17,0	36	22
RIL NW 10 13 ED VA	PN 400	8	G 3/8" -19	G 1/2" -14	22,0	12	20,0	41	27
RIL NW 10 20 ED VA	PN 315	8	G 3/8" -19	G 3/4" -14	22,0	12	22,0	44	36
RIL NW 13 10 ED VA	PN 400	12	G 1/2" -14	G 3/8" -19	26,7	14	17,0	36	27
RIL NW 13 20 ED VA	PN 315	12	G 1/2" -14	G 3/4" -14	26,7	14	22,0	46	36
RIL NW 13 25 ED VA	PN 315	12	G 1/2" -14	G 1" -11	26,7	14	24,5	49	41
RIL NW 13 32 ED VA	PN 315	10	G 1/2" -14	G 1.1/4" -11	26,7	14	26,5	53	55
RIL NW 20 13 ED VA	PN 315	16	G 3/4" -14	G 1/2" -14	32,0	16	20,0	41	32
RIL NW 20 25 ED VA	PN 315	16	G 3/4" -14	G 1" -11	32,0	16	24,5	51	41
RIL NW 20 32 ED VA	PN 315	16	G 3/4" -14	G 1.1/4" -11	32,0	16	26,5	55	55
RIL NW 20 40 ED VA	PN 250	16	G 3/4" -14	G 1.1/2" -11	32,0	16	28,5	57	60
RIL NW 25 20 ED VA	PN 315	20	G 1" -11	G 3/4" -14	39,7	18	22,0	47	41
RIL NW 25 32 ED VA	PN 315	20	G 1" -11	G 1.1/4" -11	39,7	18	26,5	57	55
RIL NW 25 40 ED VA	PN 250	20	G 1" -11	G 1.1/2" -11	39,7	18	28,0	59	60
RIL NW 32 25 ED VA	PN 315	25	G 1.1/4" -11	G 1" -11	49,7	20	24,5	52	50
RIL NW 32 40 ED VA	PN 250	25	G 1.1/4" -11	G 1.1/2" -11	49,7	20	28,5	60	60
RIL NW 40 32 ED VA	PN 250	32	G 1.1/2" -11	G 1.1/4" -11	55,0	22	26,5	58	55
RIL NW 50 40 ED VA	PN 160	40	G 2" -11	G 1.1/2" -11	68,0	24	28,5	62	70

PN = nimirõhk PB = maks. tööõhk

Toote variandid

RIL ED Üleminek, pikk, Teras

Varuosad

WD V Pehme tihend JIC