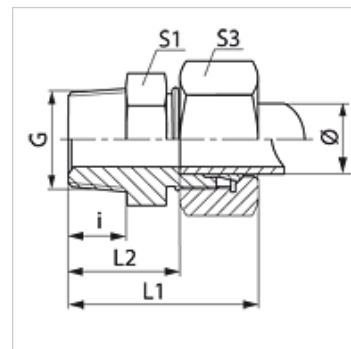


Omadused

| | |
|---------------|------------------------------------|
| Ühendus 1 | BSPT-väliskeere, kooniline |
| Tihenditüüp 1 | Keermestihend |
| Ühendus 2 | M-keere välis, silindriline |
| Tihenditüüp 2 | 24° sisekoonus |
| Tüüp | Sissekeeratav liitmik . |
| Ehitustüüp | Sirge |
| Tavaline | DIN 2353 ISO 8434-1 |
| Komplektis | Torumutri ja lõikurrõngaga liitmik |
| Materjal | Teras |
| Pinnatöötlus | galvaniseeritud |



Vihje

Viiteid monteerimise, paigaldamise, survetugevuse ja lubatud töötemperatuuride kohta leiate toruühenduste tehnilisest juhendist.

Artikkel

| Märgistus | Ehitusseeria | Töörõhk bar | Toru välimine Ø (mm) | G | i (mm) | L1 (mm) | L2 (mm) | S1 | S3 |
|------------------|--------------|-------------|----------------------|------------|--------|---------|---------|----|----|
| VR 04 LL | LL | PN 100 | 4 | R 1/8" K | 8 | 26 | 16,0 | 11 | 10 |
| VR 05 LL | LL | PN 100 | 5 | R 1/8" K | 8 | 26 | 14,5 | 11 | 12 |
| VR 06 LL | LL | PN 100 | 6 | R 1/8" K | 8 | 26 | 14,5 | 11 | 12 |
| VR 06 LL 1/4 | LL | PN 100 | 6 | R 1/4" K | 12 | 26 | 14,5 | 12 | 12 |
| VR 08 LL | LL | PN 100 | 8 | R 1/8" K | 8 | 28 | 16,5 | 12 | 14 |
| VR 08 LL 1/4 | LL | PN 100 | 8 | R 1/4" K | 13 | 33 | 21,5 | 17 | 14 |
| VR 10 LL | LL | PN 100 | 10 | R 1/4" K | 12 | 32 | 20,5 | 14 | 17 |
| VR 12 LL | LL | PN 100 | 12 | R 1/4" K | 12 | 32 | 20,0 | 17 | 19 |
| VR 12 LL 3/8 | LL | PN 100 | 12 | R 3/8" K | 14 | 32 | 20,0 | 19 | 19 |
| VRK NW 04 HL | L | PN 315 | 6 | R 1/8" K | 10 | 32 | 17,0 | 12 | 14 |
| VRK NW 04 HL 1/4 | L | PN 315 | 6 | R 1/4" K | 13 | 36 | 21,0 | 17 | 14 |
| VRK NW 06 HL 1/8 | L | PN 315 | 8 | R 1/8" K | 8 | 31 | 16,0 | 14 | 17 |
| VRK NW 06 HL | L | PN 315 | 8 | R 1/4" K | 13 | 36 | 21,0 | 17 | 17 |
| VRK NW 06 HL 3/8 | L | PN 315 | 8 | R 3/8" K | 12 | 36 | 21,0 | 19 | 17 |
| VRK NW 06 HL 1/2 | L | PN 315 | 8 | R 1/2" K | 14 | 38 | 23,0 | 22 | 17 |
| VRK NW 08 HL 1/8 | L | PN 315 | 10 | R 1/8" K | 10 | 26 | 19,0 | 17 | 19 |
| VRK NW 08 HL | L | PN 315 | 10 | R 1/4" K | 13 | 37 | 22,0 | 17 | 19 |
| VRK NW 08 HL 3/8 | L | PN 315 | 10 | R 3/8" K | 12 | 37 | 22,0 | 19 | 19 |
| VRK NW 08 HL 1/2 | L | PN 315 | 10 | R 1/2" K | 14 | 39 | 24,0 | 22 | 19 |
| VRK NW 10 HL 1/4 | L | PN 315 | 12 | R 1/4" K | 13 | 38 | 23,0 | 19 | 22 |
| VRK NW 10 HL | L | PN 315 | 12 | R 3/8" K | 13 | 38 | 23,0 | 19 | 22 |
| VRK NW 10 HL 1/2 | L | PN 315 | 12 | R 1/2" K | 16 | 41 | 26,0 | 24 | 22 |
| VRK NW 13 HL 3/8 | L | PN 315 | 15 | R 3/8" K | 13 | 39 | 24,0 | 24 | 27 |
| VRK NW 13 HL | L | PN 315 | 15 | R 1/2" K | 16 | 42 | 27,0 | 24 | 27 |
| VRK NW 16 HL 3/8 | L | PN 315 | 18 | R 3/8" K | 13 | 31 | 14,5 | 27 | 32 |
| VRK NW 16 HL | L | PN 315 | 18 | R 1/2" K | 16 | 44 | 27,5 | 27 | 32 |
| VRK NW 16 HL 3/4 | L | PN 160 | 18 | R 3/4" K | 18 | 32 | 29,5 | 32 | 32 |
| VRK NW 20 HL 1/2 | L | PN 160 | 22 | R 1/2" K | 16 | 46 | 27,5 | 27 | 36 |
| VRK NW 20 HL | L | PN 160 | 22 | R 3/4" K | 18 | 48 | 31,5 | 32 | 36 |
| VRK NW 25 HL | L | PN 160 | 28 | R 1" K | 20 | 34 | 34,5 | 41 | 41 |
| VRK NW 32 HL 1 | L | PN 160 | 35 | R 1" K | 20 | 34 | 34,5 | 41 | 41 |
| VRK NW 32 HL | L | PN 160 | 35 | R 1.1/4" K | 21 | 39 | 36,5 | 46 | 50 |
| VRK NW 40 HL | L | PN 160 | 42 | R 1.1/2" K | 22 | 42 | 38,0 | 55 | 60 |
| VRK NW 03 HS | S | PN 400 | 6 | R 1/4" K | 13 | 41 | 26,0 | 17 | 17 |
| VRK NW 04 HS | S | PN 400 | 8 | R 1/4" K | 13 | 41 | 26,0 | 17 | 19 |
| VRK NW 06 HS 1/4 | S | PN 400 | 10 | R 1/4" K | 13 | 41 | 26,0 | 17 | 22 |
| VRK NW 06 HS | S | PN 400 | 10 | R 3/8" K | 13 | 42 | 25,5 | 19 | 22 |
| VRK NW 08 HS 1/4 | S | PN 400 | 12 | R 1/4" K | 13 | 46 | 27,5 | 22 | 24 |
| VRK NW 08 HS | S | PN 400 | 12 | R 3/8" K | 13 | 44 | 27,5 | 22 | 24 |
| VRK NW 08 HS 1/2 | S | PN 400 | 12 | R 1/2" K | 16 | 49 | 30,5 | 22 | 24 |
| VRK NW 10 HS 3/8 | S | PN 400 | 14 | R 3/8" K | 13 | 50 | 29,0 | 24 | 24 |



| Artikkel | | | | | | | | | |
|--------------------|--------------|-------------|-------------------------|------------|-----------|------------|------------|----|----|
| Märgistus | Ehitusseeria | Töörõhk bar | Toru välimine Ø (mm) | G | i (mm) | L1 (mm) | L2 (mm) | S1 | S3 |
| VRK NW 10 HS | S | PN 400 | 14 | R 1/2" K | 16 | 50 | 32,0 | 24 | 27 |
| VRK NW 13 HS 3/8 | S | PN 400 | 16 | R 3/8" K | 13 | 50 | 30,0 | 27 | 30 |
| VRK NW 13 HS | S | PN 400 | 16 | R 1/2" K | 14 | 51 | 32,5 | 27 | 30 |
| VRK NW 16 HS | S | PN 400 | 20 | R 3/4" K | 18 | 60 | 35,5 | 32 | 36 |
| VRK NW 20 HS | S | PN 400 | 25 | R 1" K | 20 | 67 | 38,0 | 41 | 46 |
| VRK NW 25 HS 1 | S | PN 400 | 30 | R 1" K | 20 | 70 | 39,5 | 41 | 50 |
| VRK NW 25 HS | S | PN 400 | 30 | R 1.1/4" K | 21 | 71 | 40,5 | 46 | 50 |
| VRK NW 32 HS 1 1/4 | S | PN 315 | 38 | R 1.1/4" K | 21 | 78 | 43,0 | 55 | 50 |
| VRK NW 32 HS | S | PN 315 | 38 | R 1.1/2" K | 22 | 79 | 44,0 | 55 | 60 |

Ehitusseeria: LL = väga kerge L = kerge S = raske – PN = nimirõhk PB = maks. töörõhk – Ø = toru välisläbimõõt

Toote variandid

| | |
|--------|---|
| VRK MG | Sissekeeratav ühendus, Messing |
| VRK VA | Sissekeeratav ühendus, Roostevaba teras |
| XVRK | Sissekeeratav liitmik, Teras |