

Omadused

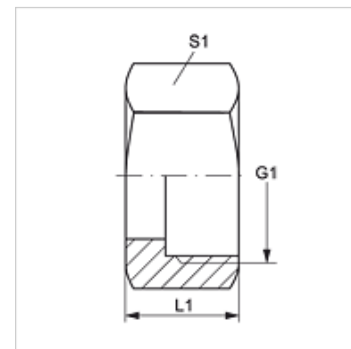
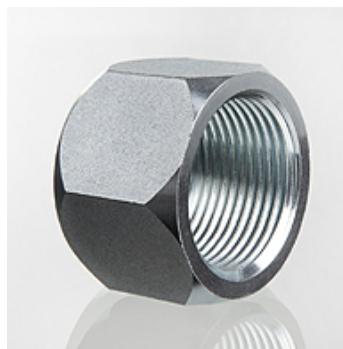
Ühendus 1 UN/UNF-sisekeere

Tüüp Torumutter

Tavaline ISO 8434-2

Materjal Teras

Pinnatöötlus galvaniseeritud



Artikkel

Märgistus	Toru välimise-Ø jaoks (mm)	G1	S1	L1 (mm)
UEM AJ 03	-	3/8" -24 UNF	11	16,0
UEM AJ 04	-	7/16" -20 UNF	14	16,0
UEM AJ 05	-	1/2" -20 UNF	17	17,0
UEM AJ 06	-	9/16" -18 UNF	19	18,0
UEM AJ 08	-	3/4" -16 UNF	22	21,0
UEM AJ 10	-	7/8 tolli - 14 UNF	27	25,0
UEM AJ 12	-	1.1/16" -12 UN	32	26,0
UEM AJ 14	-	1.3/16" -12 UN	36	27,5
UEM AJ M 20	20	1.1/16" -12 UN	32	26,2
UEM AJ 16	-	1.5/16" -12 UN	41	28,0
UEM AJ 20	-	1.5/8" -12 UN	50	31,0
UEM AJ 24	-	1.7/8" -12 UN	60	36,0
UEM AJ 32	-	2.1/2" -12 UN	70	45,0

Toote variandid

UEM AJ VA Torumutter AJ, Roostevaba teras