

UEM AJ VA

Torumutter AJ

HANSA FLEX

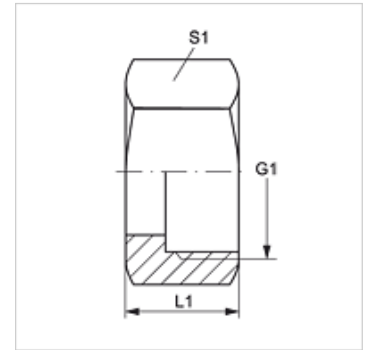
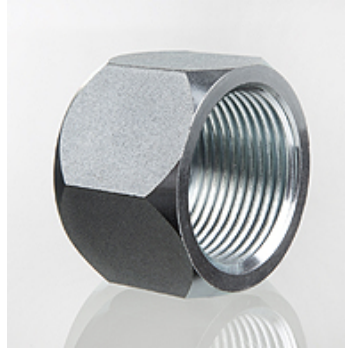
Omadused

Ühendus 1 UN/UNF-sisekeere

Tüüp Torumutter

Tavaline ISO 8434-2

Materjal Roostevaba teras



Artikkel

Märgistus	G1	S1	L1 (mm)
UEM AJ 04 VA	7/16" -20 UNF	14	16,0
UEM AJ 05 VA	1/2" -20 UNF	17	17,0
UEM AJ 06 VA	9/16" -18 UNF	19	18,0
UEM AJ 08 VA	3/4" -16 UNF	22	21,0
UEM AJ 10 VA	7/8 tolli – 14 UNF	27	25,0
UEM AJ 12 VA	1.1/16" -12 UN	32	26,0
UEM AJ 16 VA	1.5/16" -12 UN	41	28,0
UEM AJ 20 VA	1.5/8" -12 UN	50	31,0
UEM AJ 24 VA	1.7/8" -12 UN	60	36,0

Toote variandid

UEM AJ Torumutter AJ, Teras